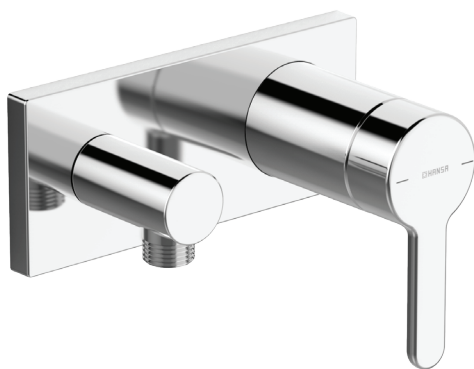




Wasser erleben

# HANSADESIGNO

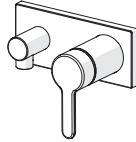
INSTALLATION AND MAINTENANCE GUIDE



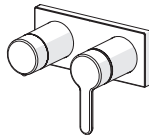


## Contents

<b>CZ</b> Obsah	<b>FR</b> Sommaire	<b>IT</b> Indice	<b>RO</b> Cuprins
<b>DE</b> Inhaltsübersicht	<b>GR</b> Περιεχόμενα	<b>NL</b> Inhoud	<b>SK</b> Obsah
<b>ES</b> Contenidos	<b>HU</b> Tartalom	<b>PT</b> Conteúdo	



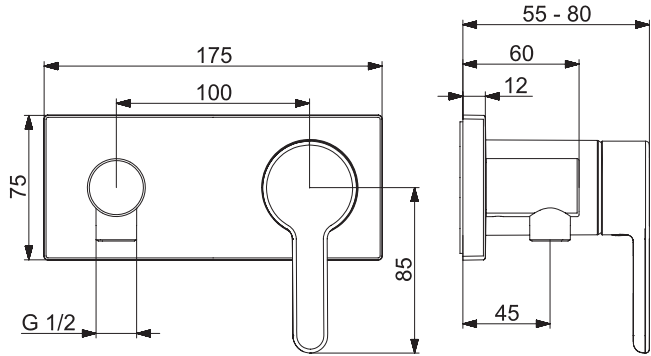
Technical data.....	4
Installation .....	5-6, 9
Operation.....	10
Maintenance.....	11-13
Spare parts.....	14



Technical data.....	4
Installation .....	7-9
Operation.....	10
Maintenance.....	11-13
Spare parts.....	14

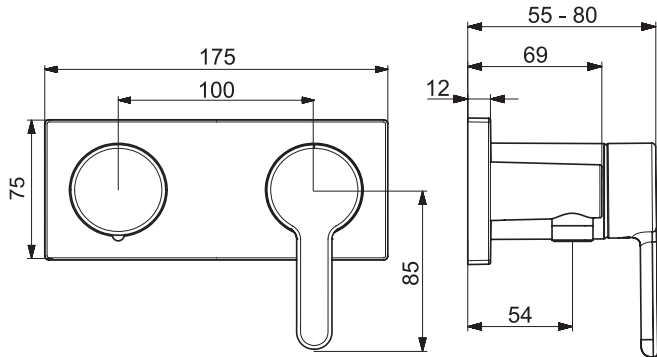
**4450 9583**

EN 817  
50 - 1000 kPa  
0.2 l/s (at 300 kPa)  
max. +90°C



**4451 9583**

EN 817  
50 - 1000 kPa  
0.28 / 0.2 l/s (at 300 kPa)  
max. +90°C



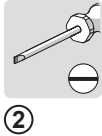
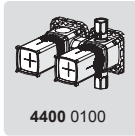
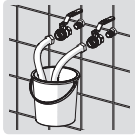
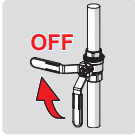
# Installation

CZ Montáž  
DE Montage  
ES Montaje

FR Installation  
GR Συναρμολόγηση  
HU Szerelés

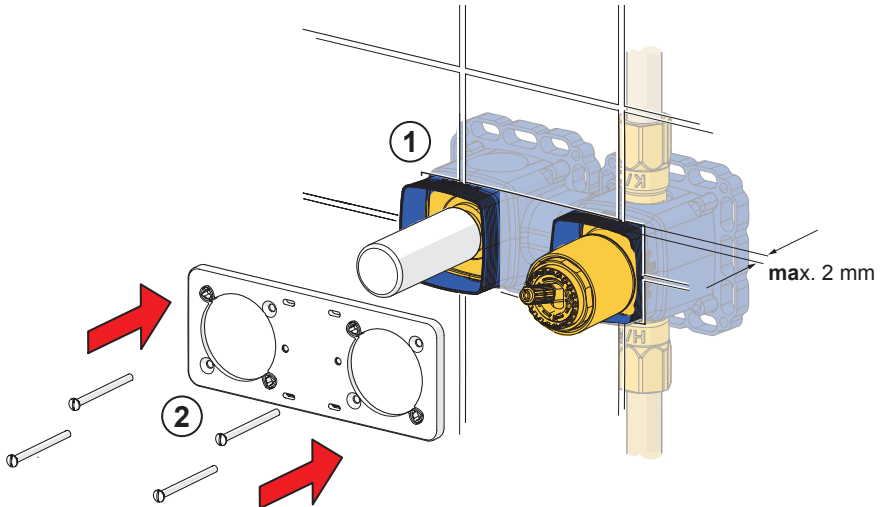
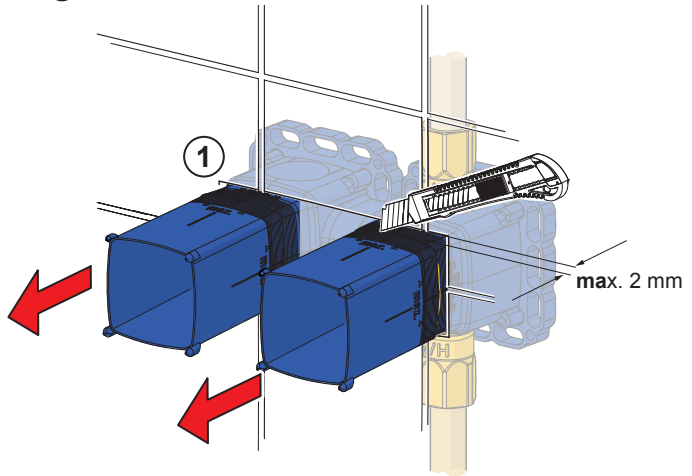
IT Montaggio  
NL Installatie  
PT Instruções

RO Instalare  
SK Inštalácia



A

A



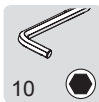
## Installation

**CZ** Montáž  
**DE** Montage  
**ES** Montaje

**FR** Installation  
**GR** Συναρμολόγηση  
**HU** Szerelés

**IT** Montaggio  
**NL** Installatie  
**PT** Instruções

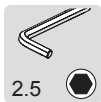
**RO** Instalare  
**SK** Inštalácia



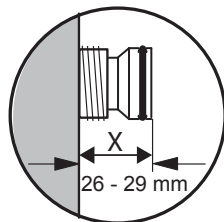
①



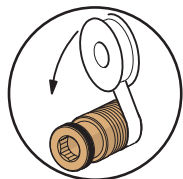
②



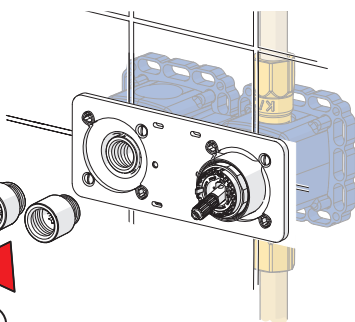
③ ④



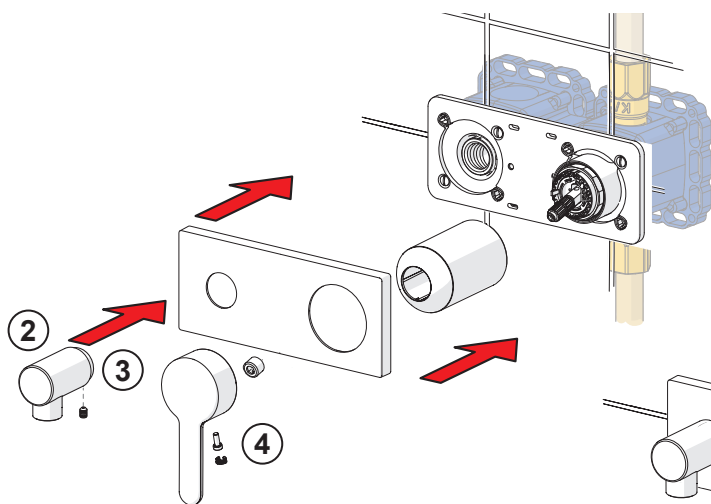
A



①



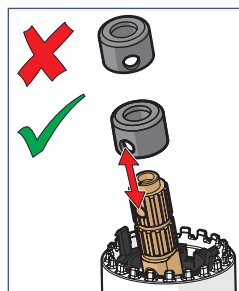
X = < 26 mm		
59 913 863 	+15 mm	
59 913 864 	+20 mm	12



②

③

④



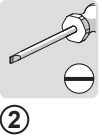
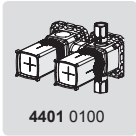
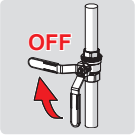
# Installation

CZ Montáž  
DE Montage  
ES Montaje

FR Installation  
GR Συναρμολόγηση  
HU Szerelés

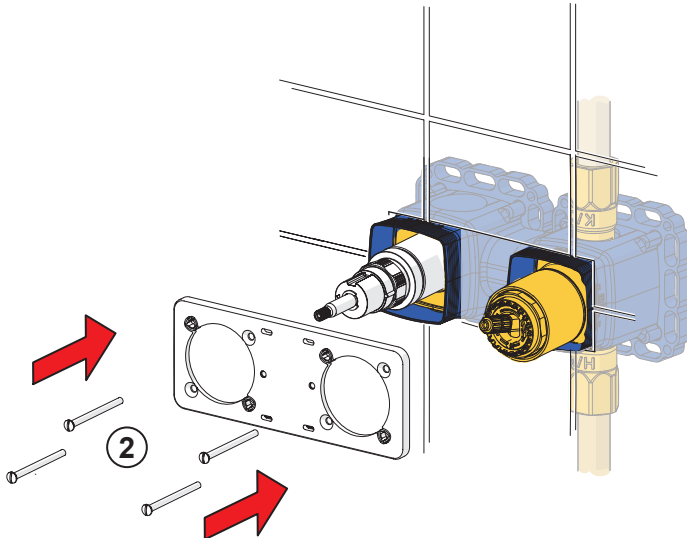
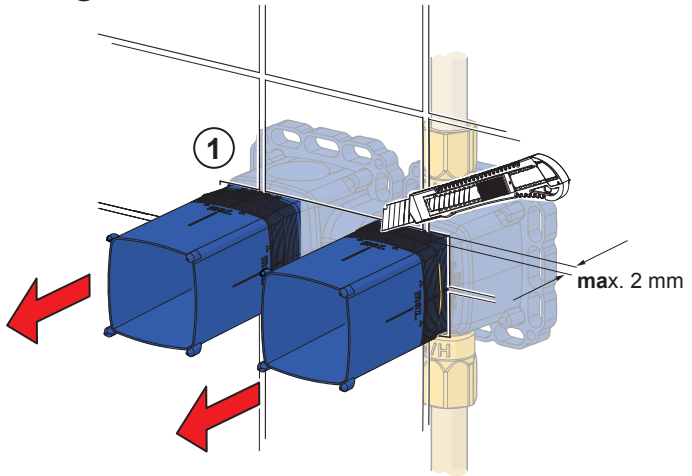
IT Montaggio  
NL Installatie  
PT Instruções

RO Instalare  
SK Inštalácia



**B**

**B**



## Installation

**CZ** Montáž  
**DE** Montage  
**ES** Montaje

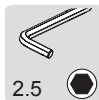
**FR** Installation  
**GR** Συναρμολόγηση  
**HU** Szerelés

**IT** Montaggio  
**NL** Installatie  
**PT** Instruções

**RO** Instalare  
**SK** Inštalácia

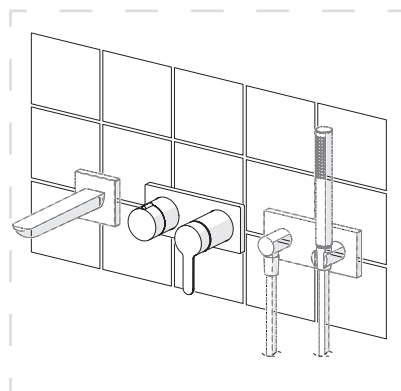
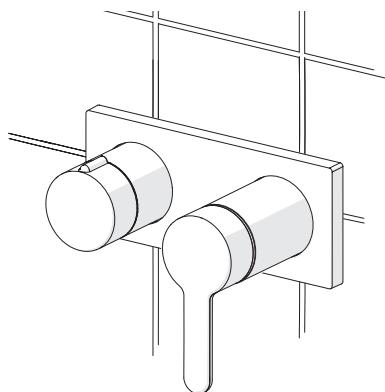
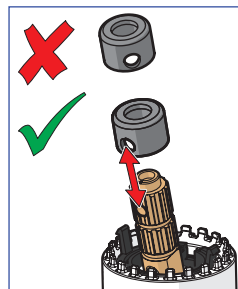
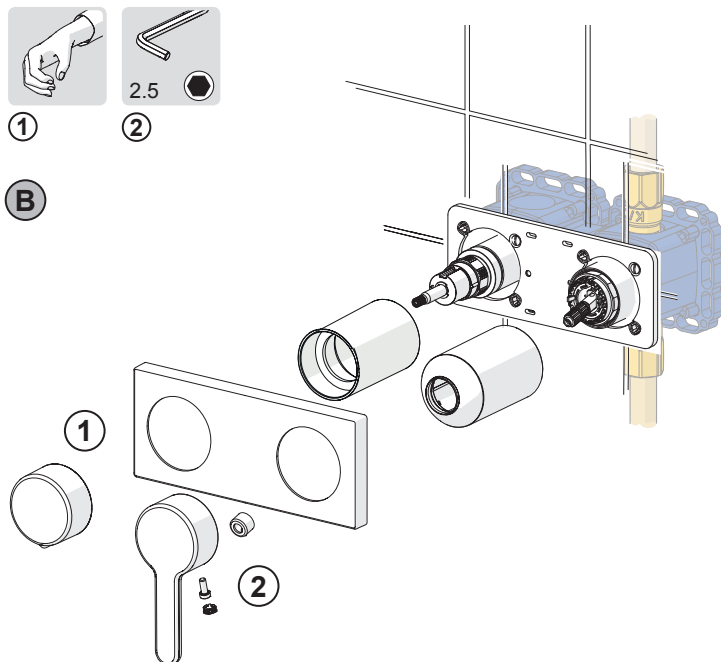


1



2

**B**





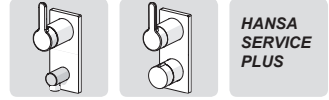
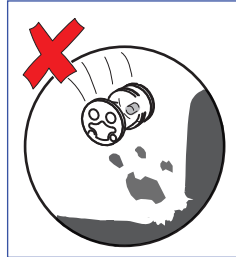
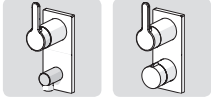
# Installation

**CZ** Montáž  
**DE** Montage  
**ES** Montaje

**FR** Installation  
**GR** Συναρμολόγηση  
**HU** Szerelés

**IT** Montaggio  
**NL** Installatie  
**PT** Instruções

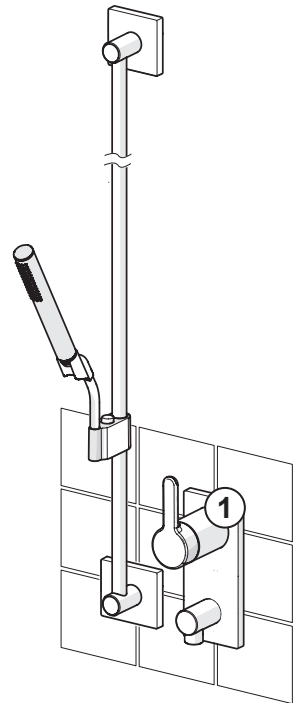
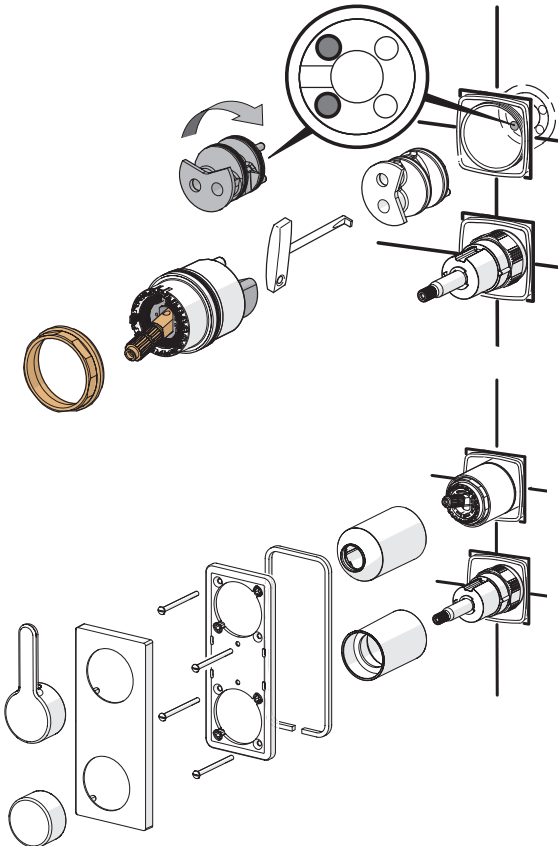
**RO** Instalare  
**SK** Inštalácia



**HANSA  
 SERVICE  
 PLUS**

①

Ⓒ



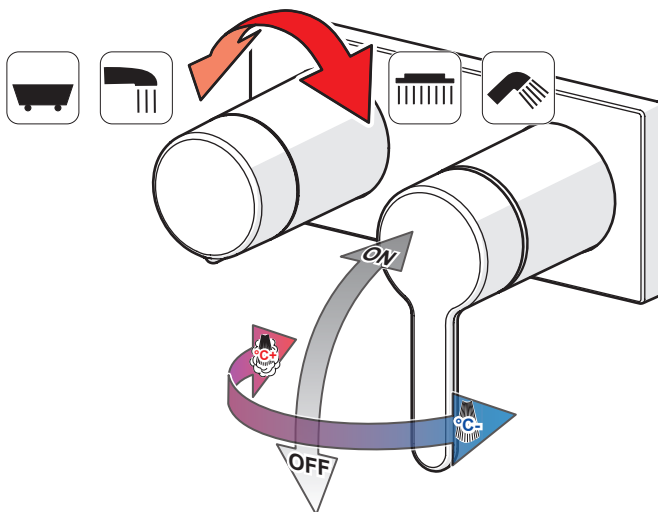
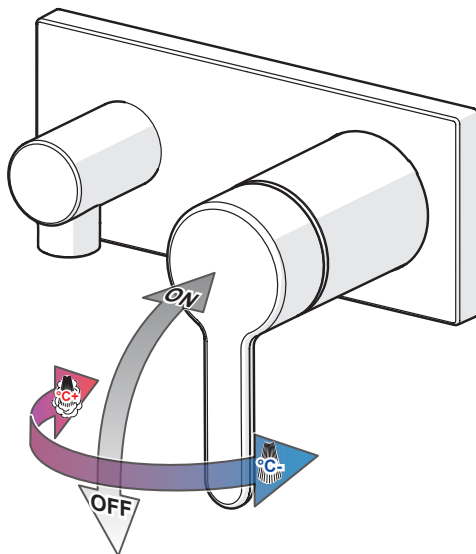
## Operation

CZ Funkce  
DE Funktion  
ES Servicio

FR Utilisation  
GR Λειτουργία  
HU Üzemeltetés

IT Funzionamento  
NL Bediening  
PT Funcionamento

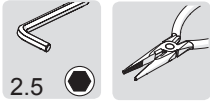
RO Funcționare  
SK Prevádzka



## Limiting temperature

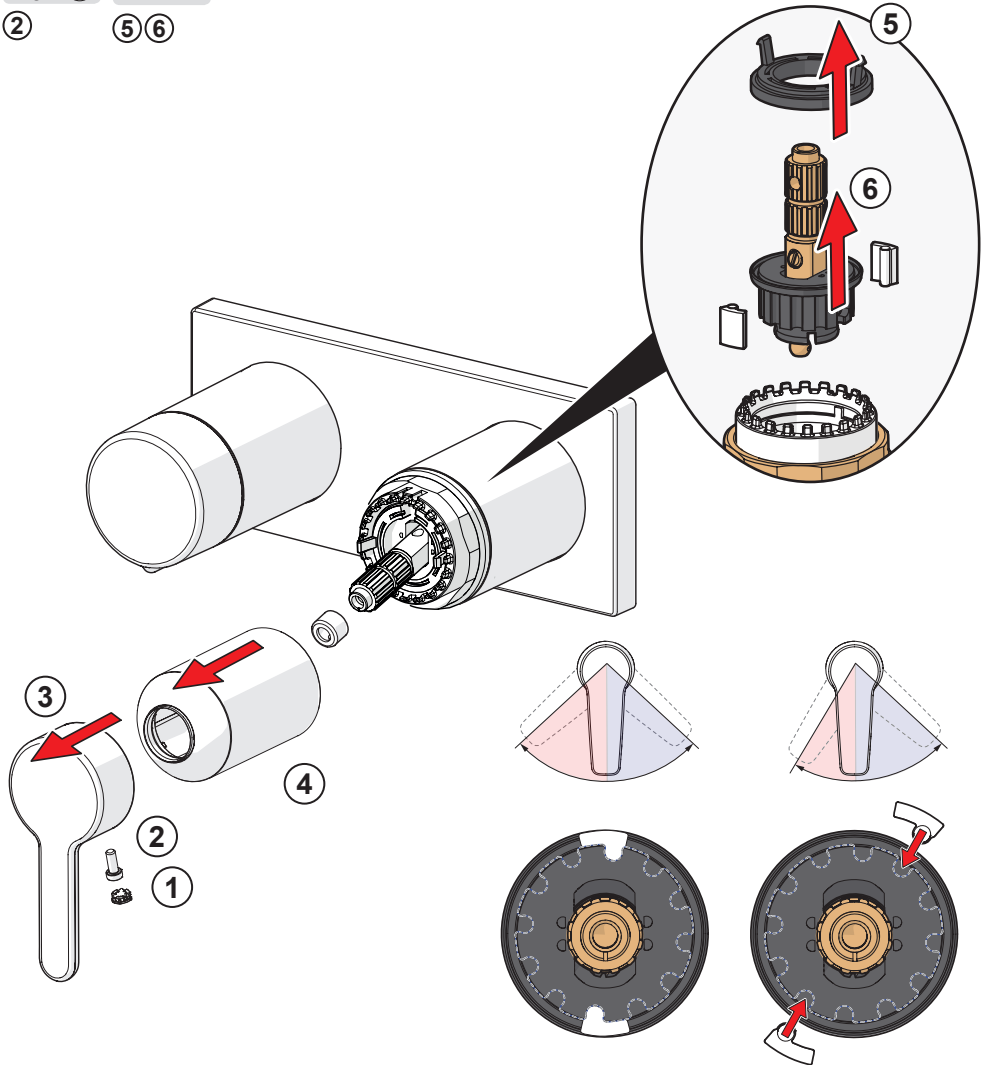
**CZ** Omezení teploty vody  
**DE** Temperaturbegrenzung  
**ES** Limitación de la temperatura  
**FR** Limitation de la température  
**GR** Περιορισμός θερμοκρασίας  
**HU** A hőmérséklet határolása

**IT** Limitazione della temperatura  
**NL** Perlator vervangent  
**PT** Limitar a temperatura  
**RO** Limitarea temperaturii  
**SK** Obmedzenie teploty



②

⑤ ⑥



## Changing the cartridge

**CZ** Výměna kartuše

**DE** Wechsel der Patrone

**ES** Montaje del cartucho

**FR** Montage et démontage de la cartouche

**GR** Αντικατάσταση του στοιχείου

**HU** A patron cseréje

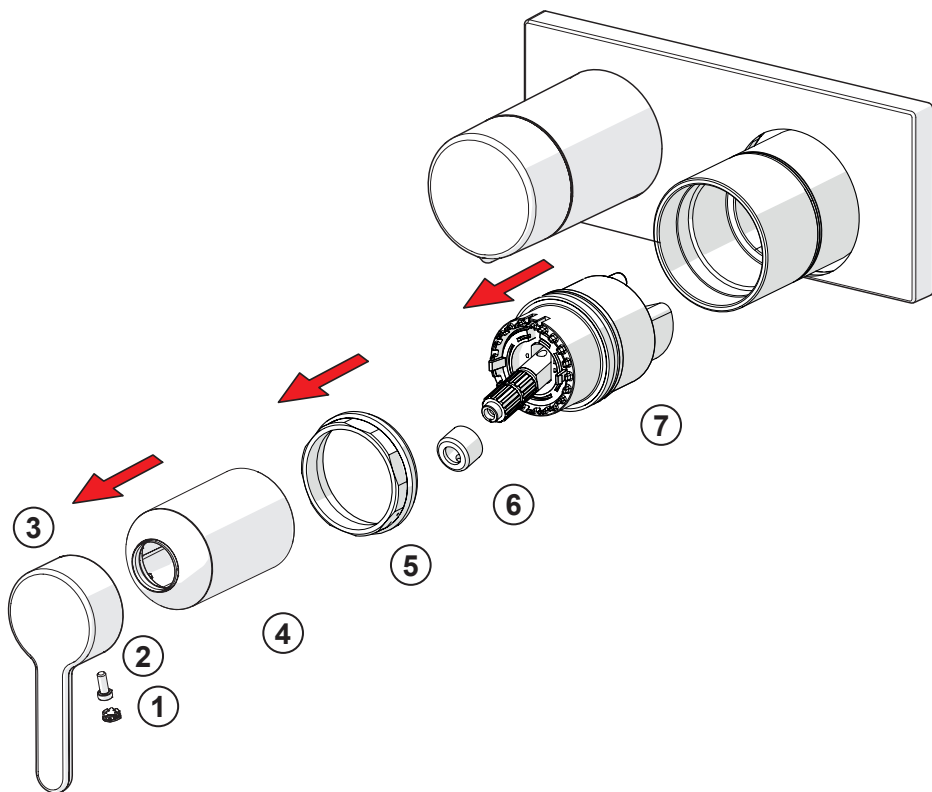
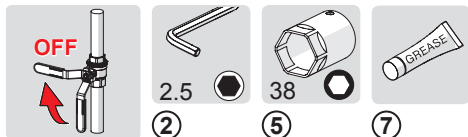
**IT** Montaggio della cartuccia

**NL** Vervangen van het keramische binnenwerk

**PT** Substituição do cartucho

**RO** Înlocuirea cartuşului

**SK** Výměna kartuše



## Cleaning the faucet

**CZ** Čištění baterie

**DE** Reinigung der Armatur

**ES** Limpieza de la grifería

**FR** Nettoyage du robinet

**GR** Καθαρισμός του βρύση

**HU** Takarítás a csapot

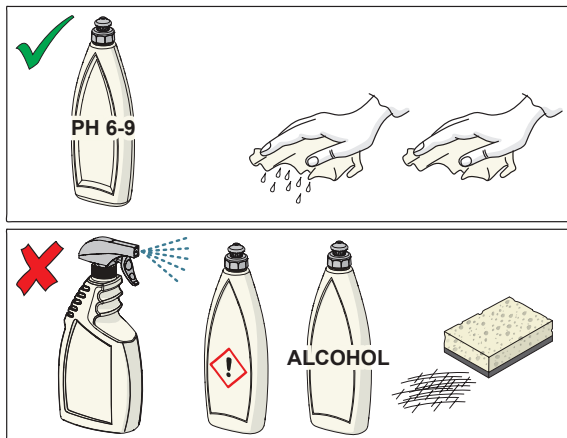
**IT** Pulizia della rubinetteria

**NL** Reinigen van de kraan

**PT** Limpeza da torneira

**RO** Curățire

**SK** Čistenie vodovodnej batérie

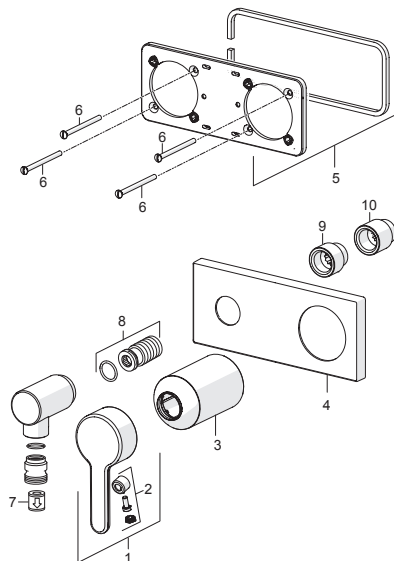


## Spare parts

<b>CZ</b> Náhradní díly	<b>FR</b> Pièces détachées	<b>IT</b> Pezzi di ricambio	<b>RO</b> Piese de schimb
<b>DE</b> Ersatzteile	<b>GR</b> Ανταλλακτικά	<b>NL</b> Reserve-onderdelen	<b>SK</b> Náhradné diely
<b>ES</b> Piezas de recambio	<b>HU</b> Alkatrészek	<b>PT</b> Peças de reposição	

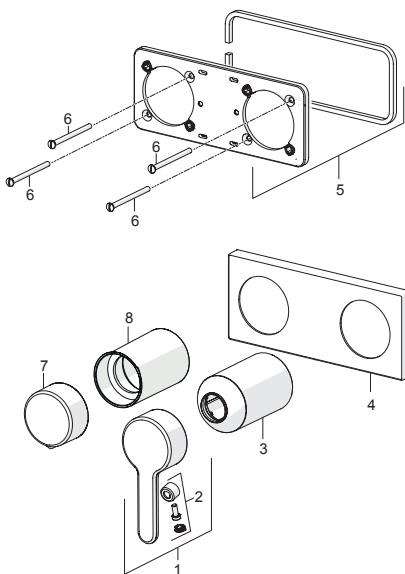
### 4450 9583

1	59 914 574
2	59 914 573
3	59 914 572
4	59 913 866
5	59 913 697
6	59 913 698
7	59 905 714
8	59 913 865
9	59 913 863
10	59 913 864



### 4451 9583

1	59 914 574
2	59 914 573
3	59 914 572
4	59 914 702
5	59 913 697
6	59 913 698
7	59 914 703
8	59 914 671





Oras Group is a powerful European provider of sanitary fittings: the market leader in the Nordics and a leading company in Continental Europe. The company's mission is to make the use of water easy and sustainable and its vision is to become the European leader of advanced sanitary fittings. Oras Group has two strong brands, Oras and Hansa.

The head office of the Group is located in Rauma, Finland, and the Group has four manufacturing sites: Burglengenfeld (Germany), Kralovice (Czech Republic), Olesno (Poland) and Rauma (Finland). Oras Group employs approximately 1400 people in twenty countries. Oras Group is owned by Oras Invest, a family company and an industrial owner.

HANSA Armaturen GmbH  
P. O. BOX 81 02 40  
D-70519 Stuttgart

Sigmaringer Strasse 107  
D-70567 Stuttgart  
Tel.: +49 711 16 14 0  
Fax: +49 711 16 14 368  
info@hansa.de

[www.hansa.com](http://www.hansa.com)



a member of  orasgroup