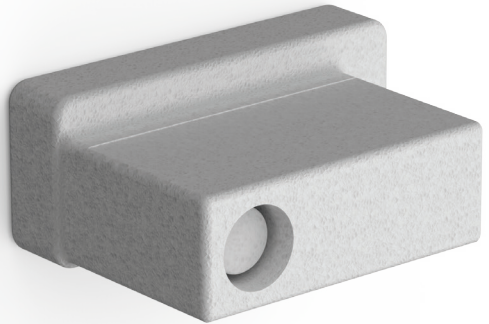


HANSAVARIO

INSTALLATION AND MAINTENANCE GUIDE



Contents

CZ Obsah

DE Inhaltsübersicht

ES Contenidos

FR Sommaire

GR Περιεχόμενα

HU Tartalom

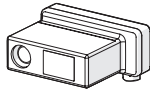
IT Indice

NL Inhoud

PT Conteúdo

RO Cuprins

SK Obsah



Technical data.....	4
Installation	5
Spare parts.....	6

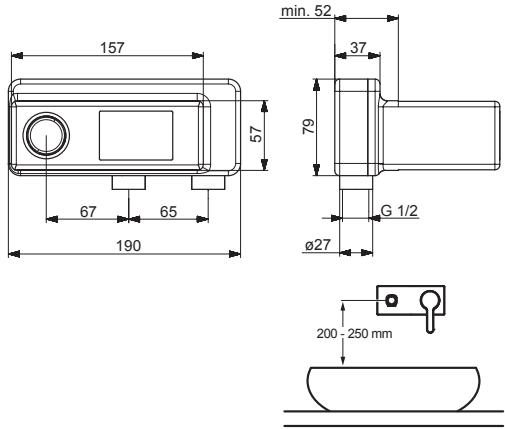
5786 0200

EN 817

50 -1000 kPa

0.1 l/s (300 kPa) (with flow controller)

max. +90°C



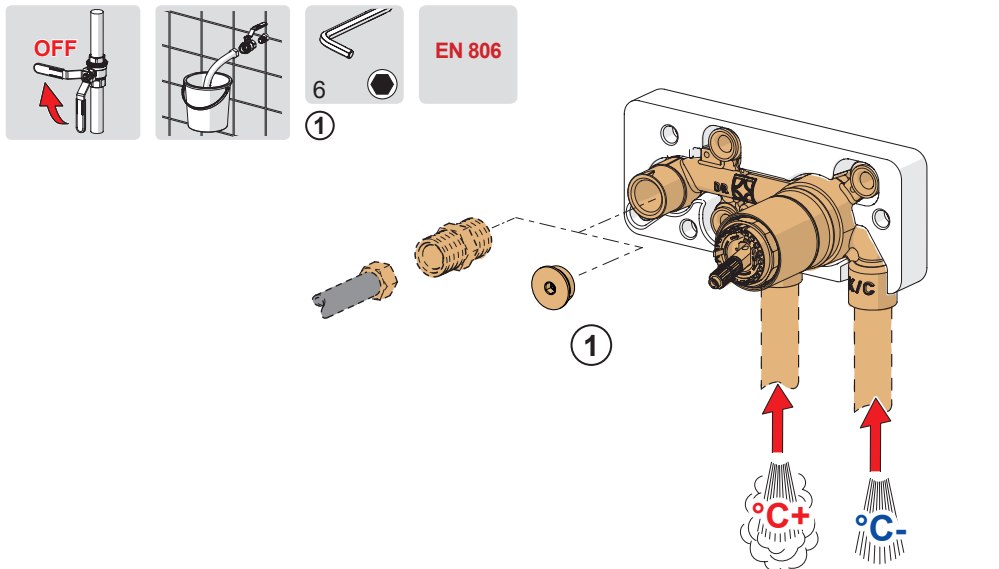
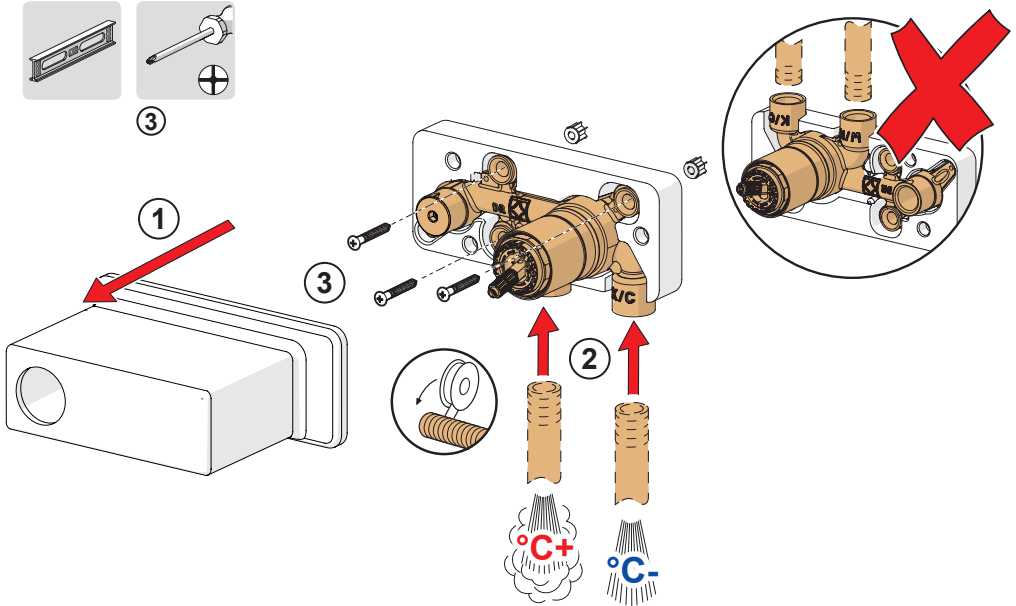
Installation

CZ Montáž
DE Montage
ES Montaje

FR Installation
GR Συναρμολόγηση
HU Szerelés

IT Montaggio
NL Installatie
PT Instruções

RO Instalare
SK Inštalácia



Spare parts

CZ Náhradní díly

FR Pièces détachées

IT Pezzi di ricambio

RO Piese de schimb

DE Ersatzteile

GR Ανταλλακτικά

NL Reserve-onderdelen

SK Náhradné diely

ES Piezas de recambio

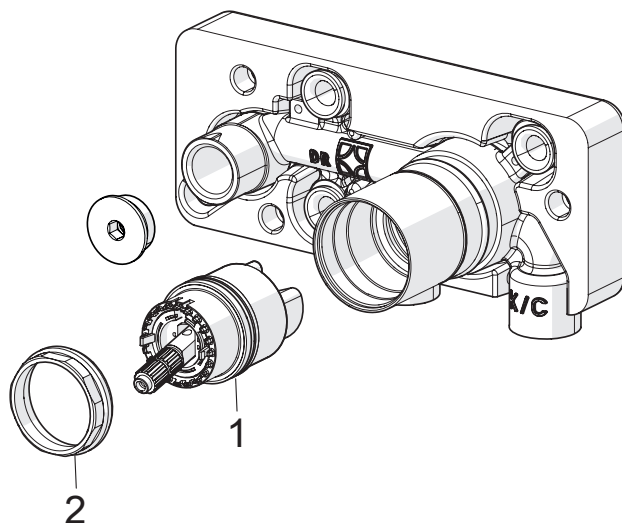
HU Alkatrészek

PT Peças de reposição

5786 0200

1 59 914 129

2 59 914 128



Oras Group is a powerful European provider of sanitary fittings: the market leader in the Nordics and a leading company in Continental Europe. The company's mission is to make the use of water easy and sustainable and its vision is to become the European leader of advanced sanitary fittings. Oras Group has two strong brands, Oras and Hansa.

The head office of the Group is located in Rauma, Finland, and the Group has four manufacturing sites: Burglengenfeld (Germany), Kralovice (Czech Republic), Olesno (Poland) and Rauma (Finland). Oras Group employs approximately 1400 people in twenty countries. Oras Group is owned by Oras Invest, a family company and an industrial owner.

HANSA Armaturen GmbH
P. O. BOX 81 02 40
D-70519 Stuttgart

Sigmaringer Strasse 107
D-70567 Stuttgart
Tel.: +49 711 16 14 0
Fax: +49 711 16 14 368
info@hansa.de

www.hansa.com



a member of  orasgroup