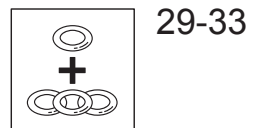
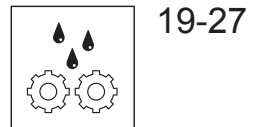
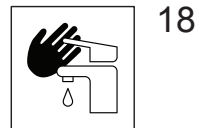


HANSA DESIGNNO STYLE

INSTALLATION AND MAINTENANCE GUIDE

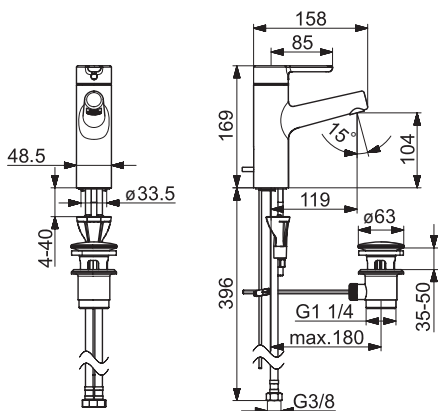






5171 2283

I (ISO 3822)
 EN 817
 50 - 1000 kPa
 0.1 l/s (300 kPa w/Controller)
 100 kPa (0.1 l/s)
 max. +80°C

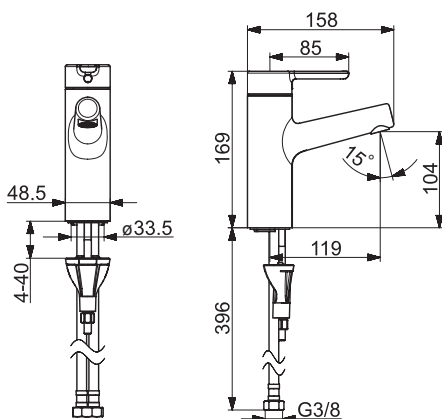


static.hansa.com/51712283

U P-IX (Prüfzeichen beantragt)

5172 2283

I (ISO 3822)
 EN 817
 50 - 1000 kPa
 0.1 l/s (300 kPa w/Controller)
 100 kPa (0.1 l/s)
 max. +80°C

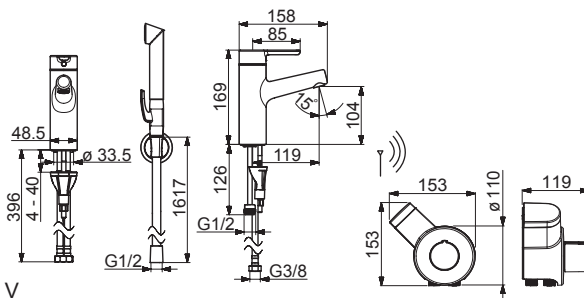


static.hansa.com/51722283

U P-IX (Prüfzeichen beantragt)

5168 2281

I (ISO 3822)
 EN 15091, EN 817
 100 - 1000 kPa
 0.1 l/s (300 kPa w/Controller)
 100 kPa (0.1 l/s)
 max. +70°C



static.hansa.com/51682281

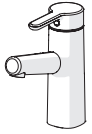
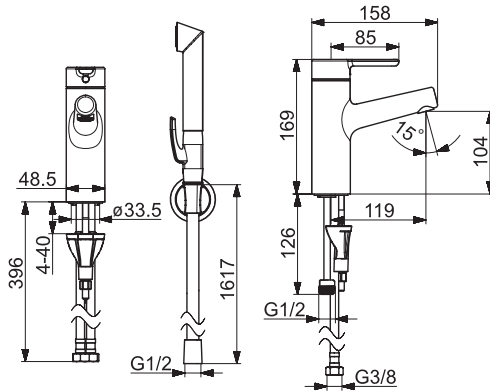
IP 55
 AA 1.5 V Lithium x 2, CR 2450 3 V

CE (EMC 2014/30/EU)



5170 2201

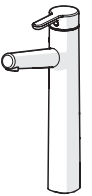
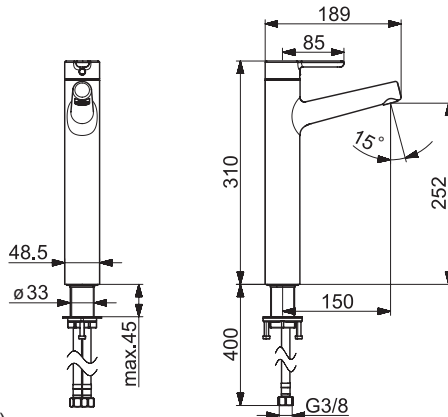
I (ISO 3822)
 EN 817
 50 - 1000 kPa
 0.1 l/s (300 kPa w/Controller)
 100 kPa (0.1 l/s)
 max. +80°C



static.hansa.com/51702201

5169 2283

I (ISO 3822)
 EN 817
 50 - 1000 kPa
 0.1 l/s (300 kPa w/Controller)
 100 kPa (0.1 l/s)
 max. +80°C

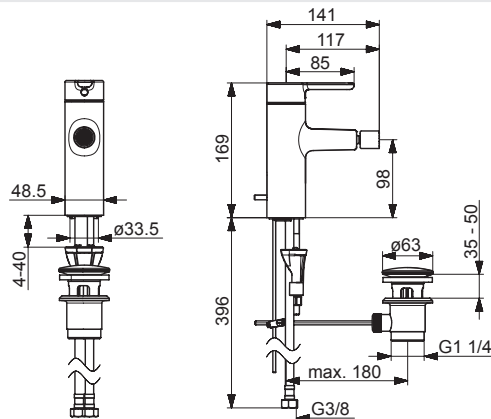


static.hansa.com/51692283

U P-IX (Prüfzeichen beantragt)

5173 3283

I (ISO 3822)
 EN 817
 50 - 1000 kPa
 0.1 l/s (300 kPa w/Controller)
 100 kPa (0.1 l/s)
 max. +80°C



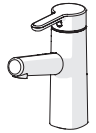
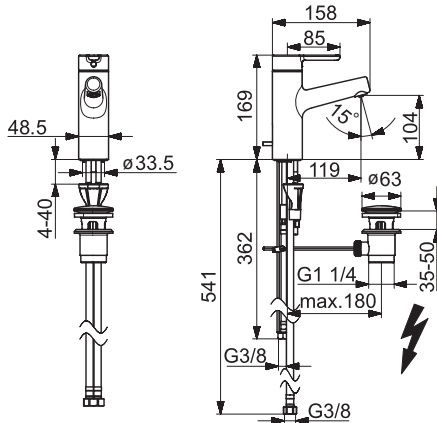
static.hansa.com/51733283

U P-IX (Prüfzeichen beantragt)



5191 1183

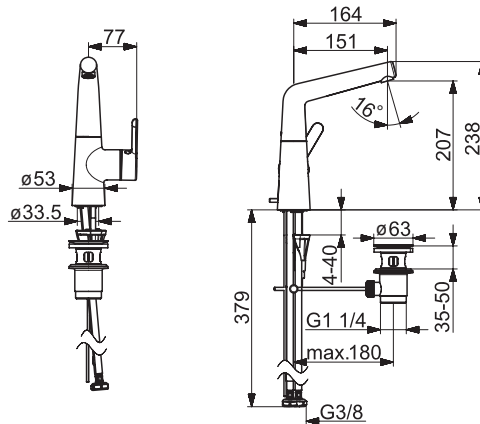
I (ISO 3822)
 EN 817
 50 - 500 kPa
 0.1 l/s (300 kPa w/Controller)
 max. +80°C



static.hansa.com/51911183

5103 2283

I (ISO 3822)
 EN 817
 50 - 1000 kPa
 0.10 l/s (300 kPa w/Controller)
 100 kPa (0.1 l/s)
 max. +80°C

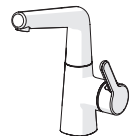
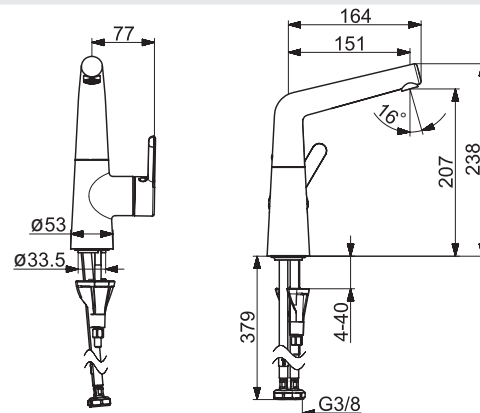


static.hansa.com/51032283

U P-IX (Prüfzeichen beantragt)

5149 2283

I (ISO 3822)
 EN 817
 50 - 1000 kPa
 0.1 l/s (300 kPa w/Controller)
 100 kPa (0.1 l/s)
 max. +80°C



static.hansa.com/51492283

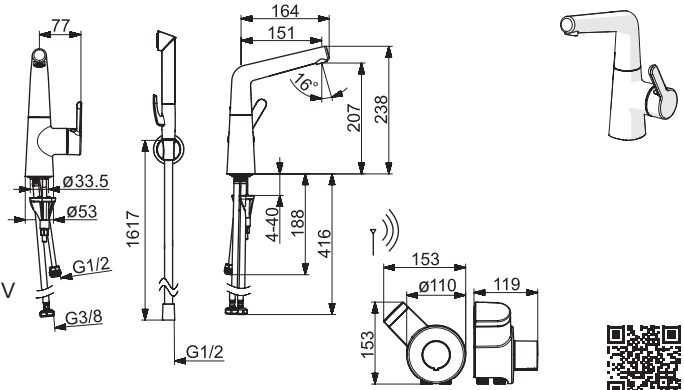
U P-IX (Prüfzeichen beantragt)



5107 2281

I (ISO 3822)
 EN 15091 , EN 817
 100 - 1000 kPa
 0.1 l/s (300 kPa w/Controller)
 100 kPa (0.1 l/s)
 max. +70°C

IP 55
 AA 1.5 V Lithium x 2, CR 2450 3 V

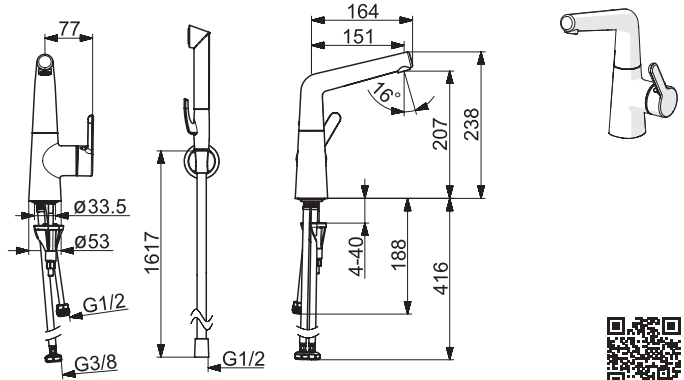


CE (EMC 2014/30/EU)

static.hansa.com/51072281

5134 2201

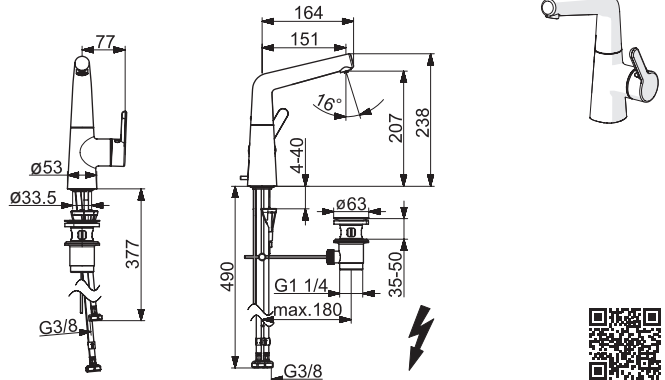
I (ISO 3822)
 EN 817
 50 - 1000 kPa
 0.1 l/s (300 kPa w/Controller)
 100 kPa (0.1 l/s)
 max. +80°C



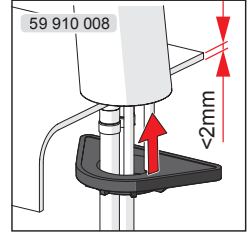
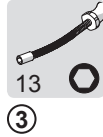
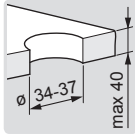
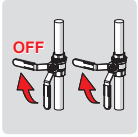
static.hansa.com/51342201

5121 1183

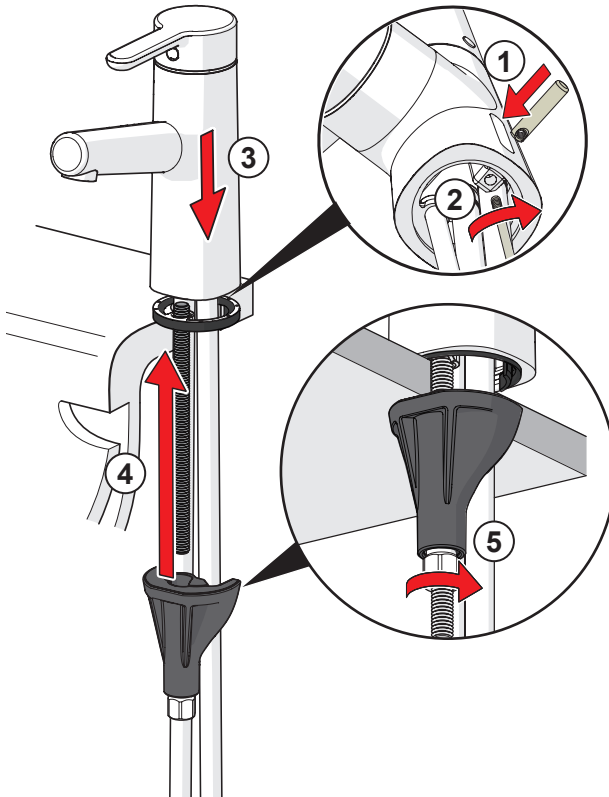
I (ISO 3822)
 EN 817
 50 - 500 kPa
 0.10 l/s (300 kPa w/Controller)
 max. +80°C

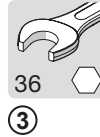
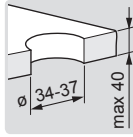
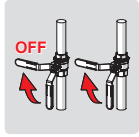


static.hansa.com/51211183

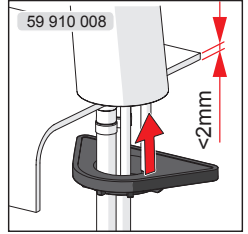


1

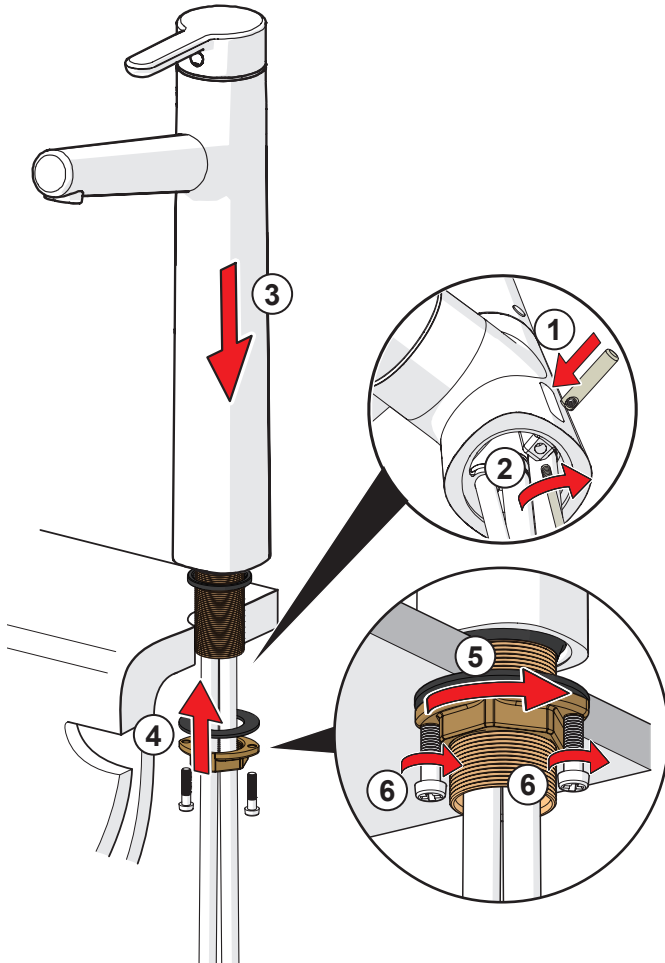


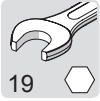


max.
1600 kPa



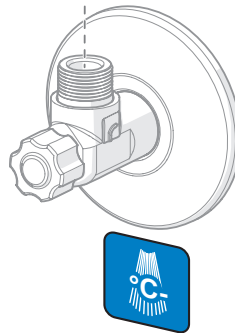
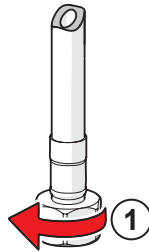
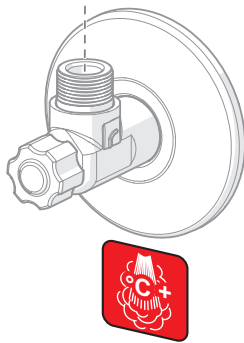
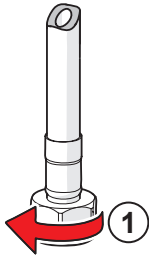
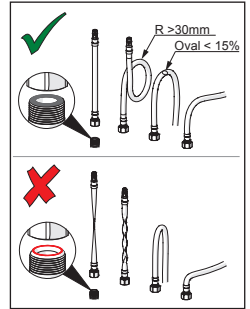
1





①

②





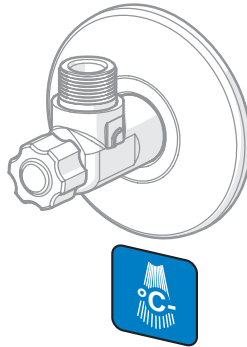
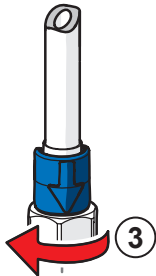
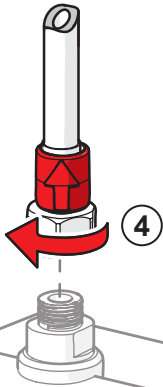
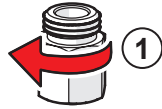
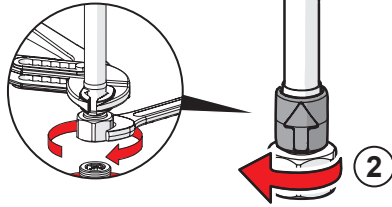
19



①②③④



2

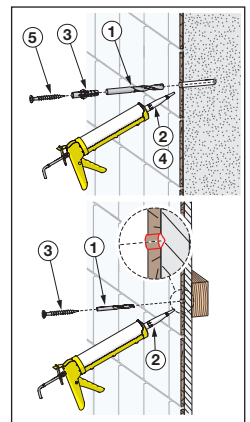
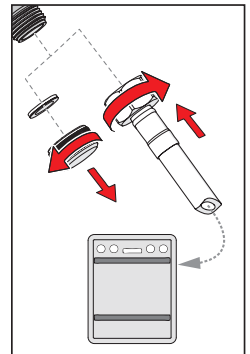
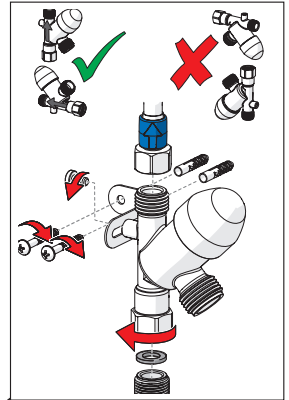
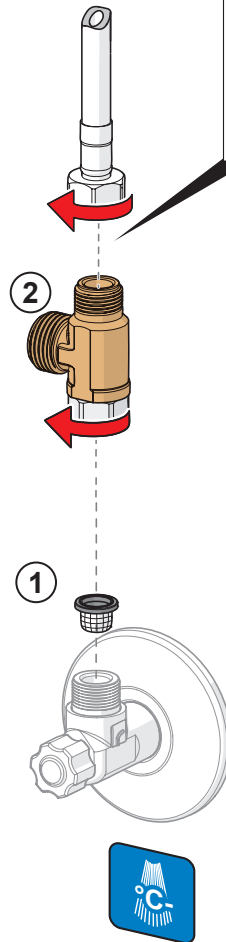
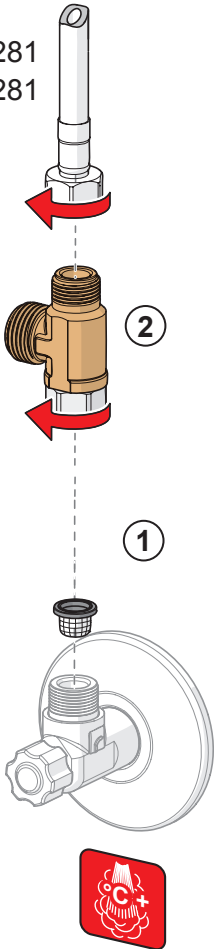




19

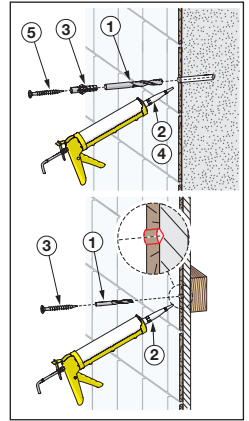
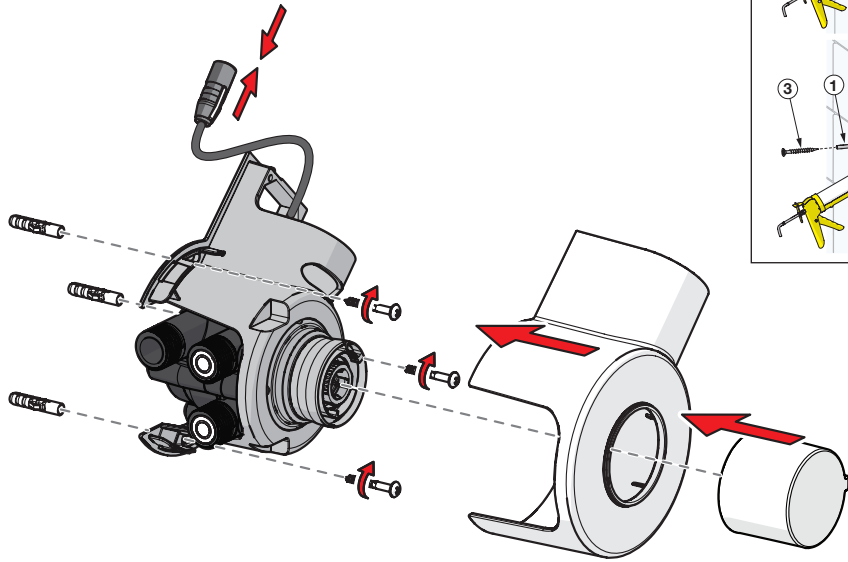
①...②

2 5168 2281
5107 2281





3 5168 2281
5107 2281





①



②

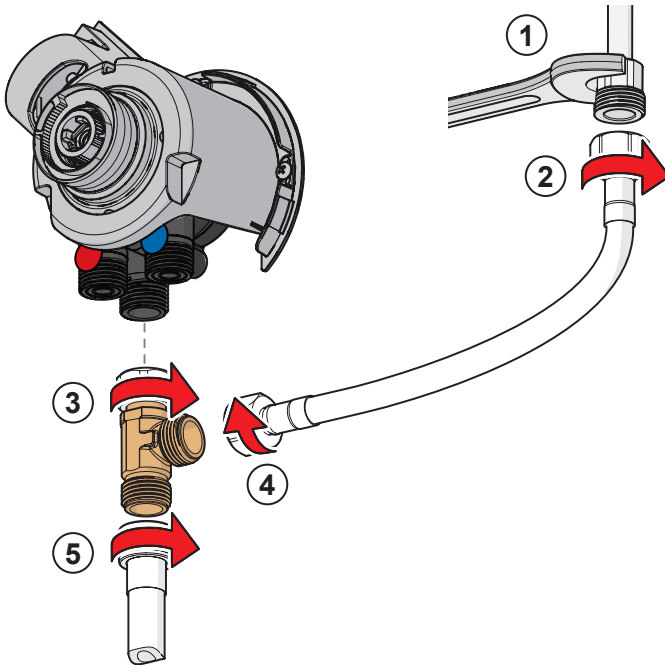


③ ④



③ ⑤

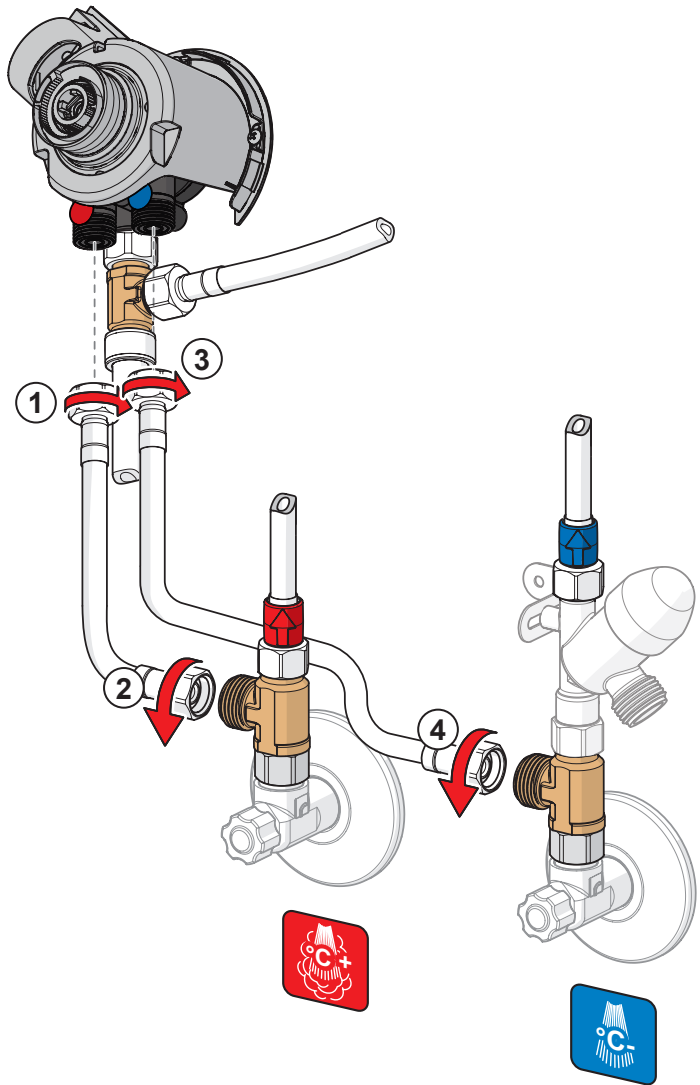
4 5168 2281
5107 2281





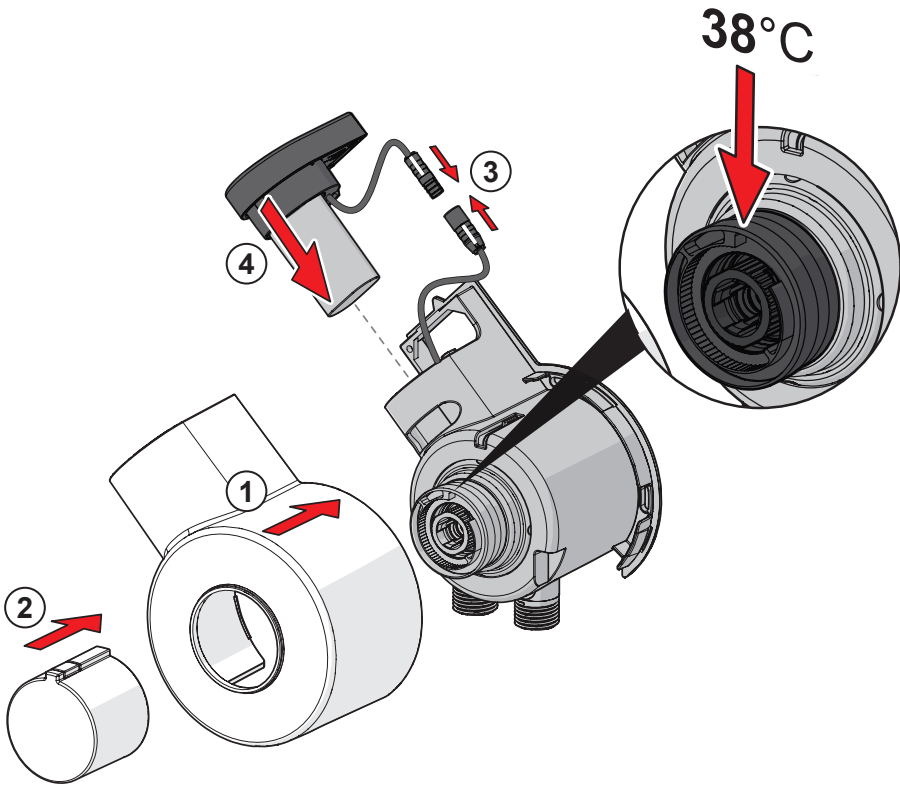
① ... ④ ① ③

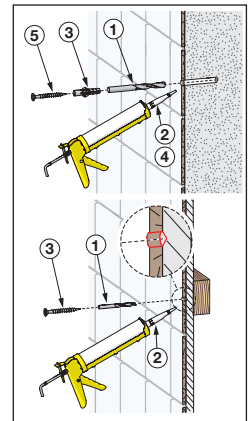
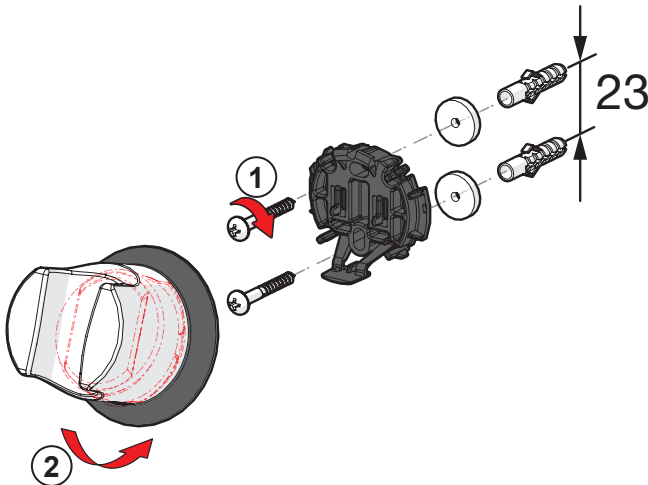
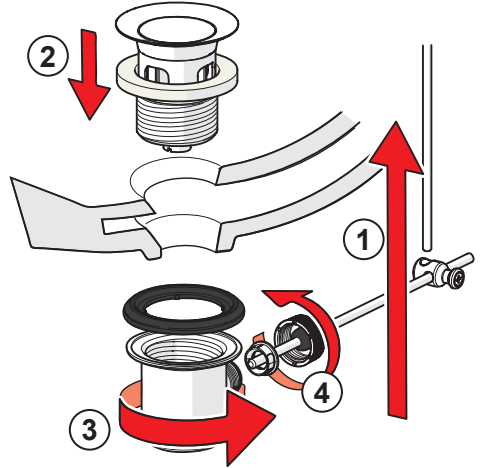
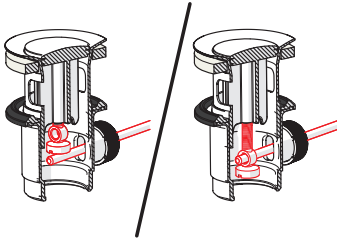
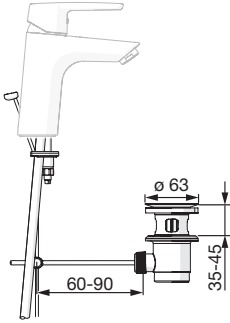
5 5168 2281
5107 2281

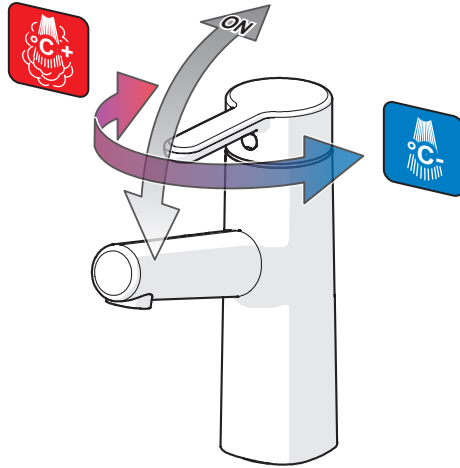




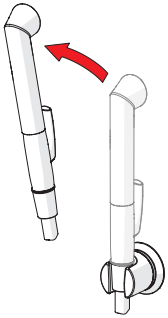
6 5168 2281
5107 2281



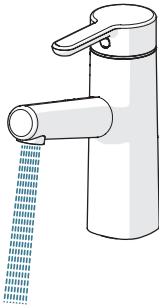




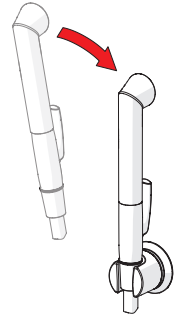
5168 2281, 5107 2281



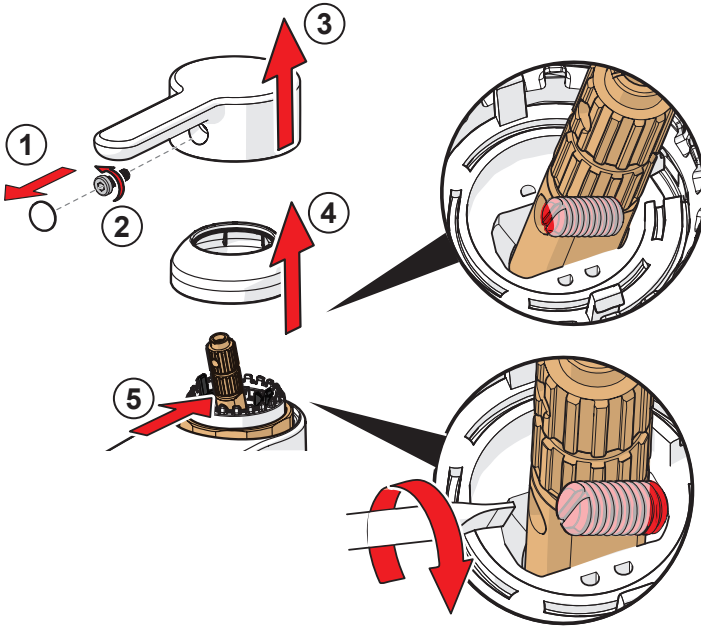
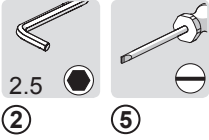
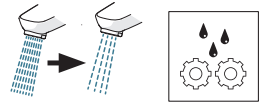
ON

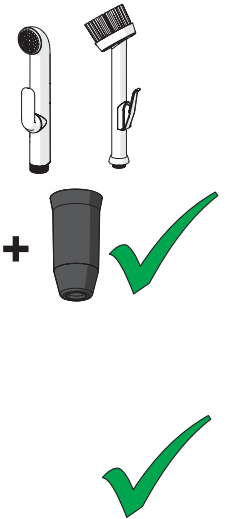
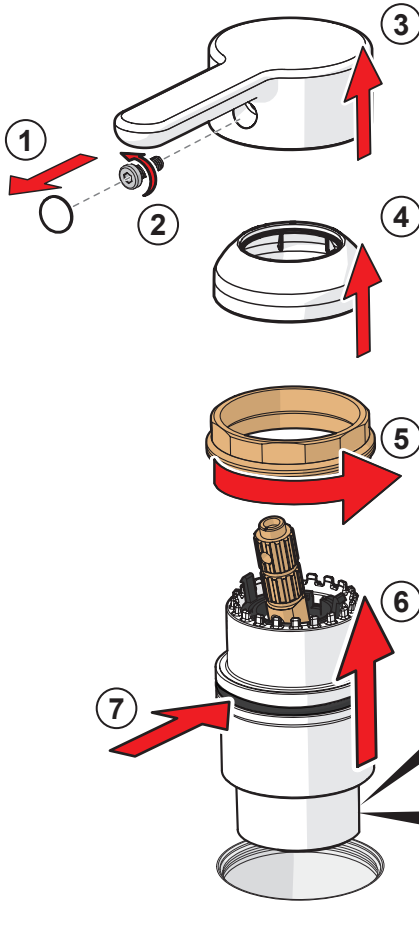
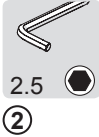
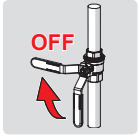


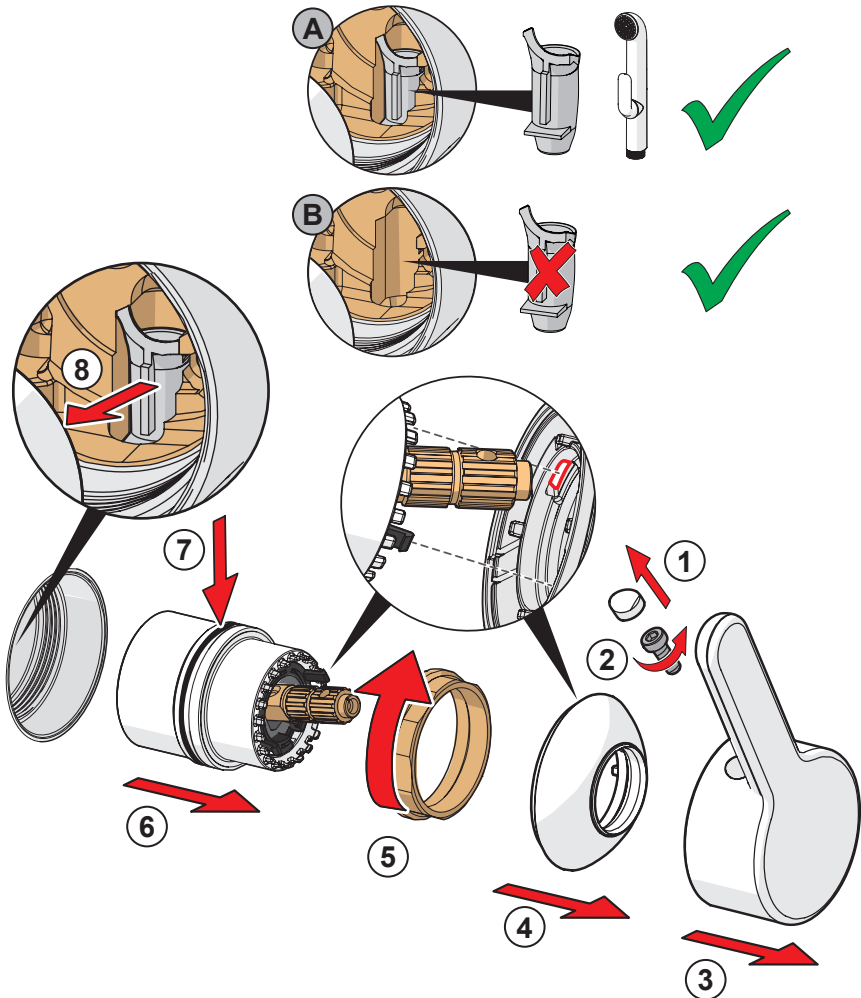
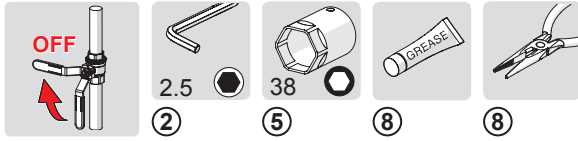
max. 2 min

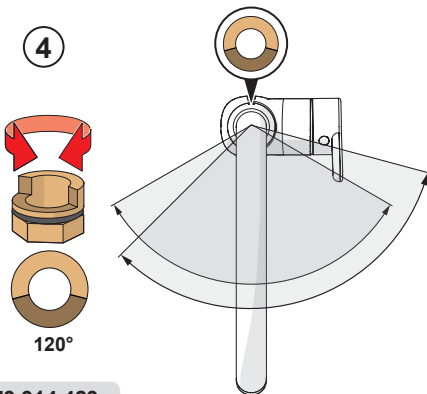
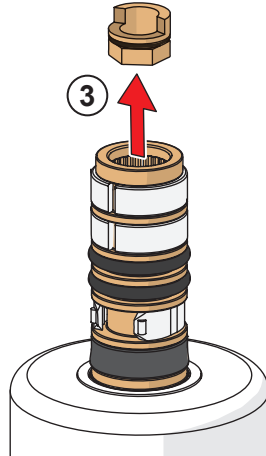
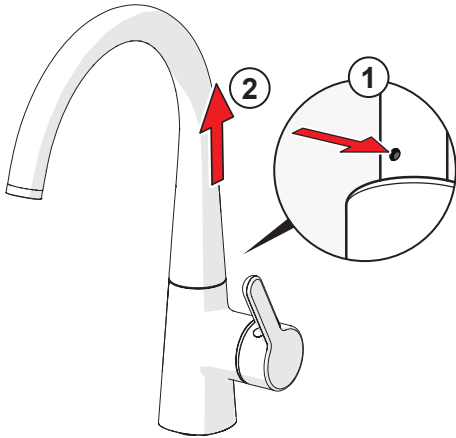
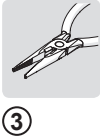


OFF

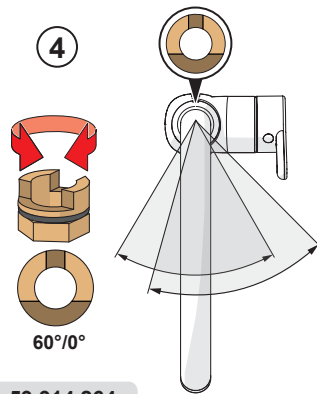








59 914 429



59 914 264

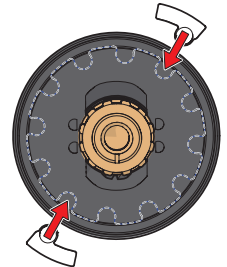
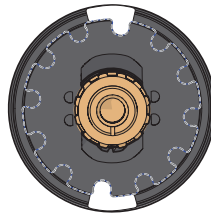
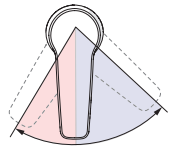
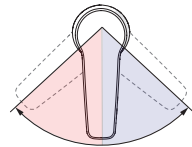
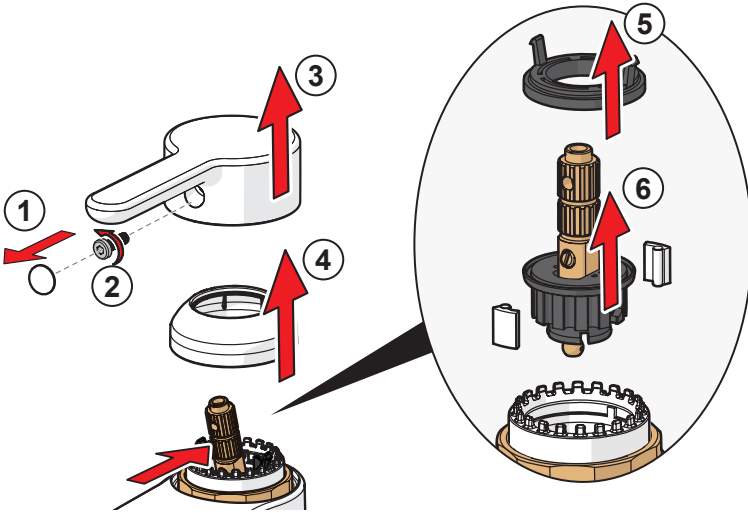


2.5



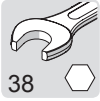
②

⑤⑥





① ③



②



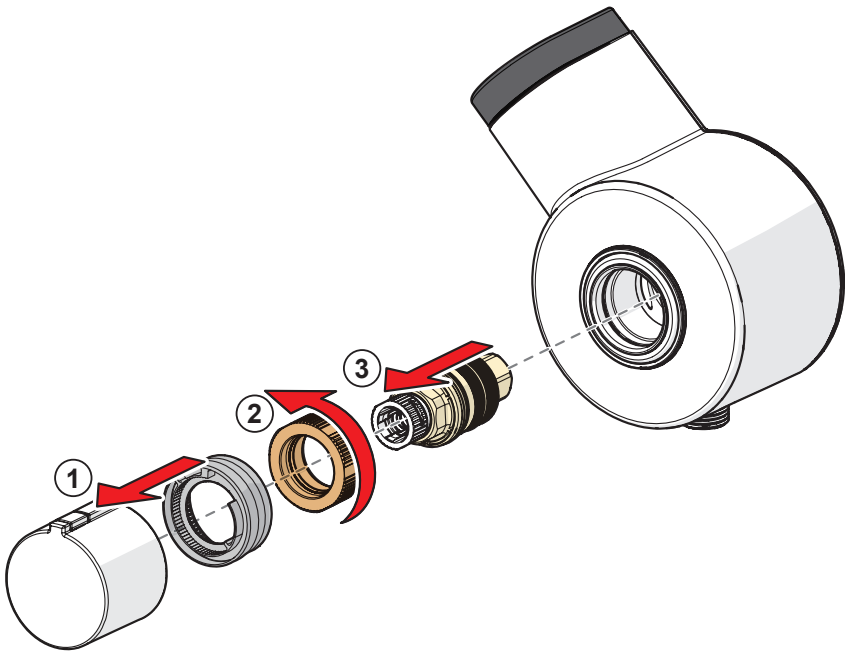
③



③

5168 2281

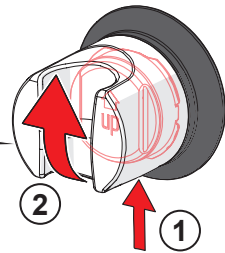
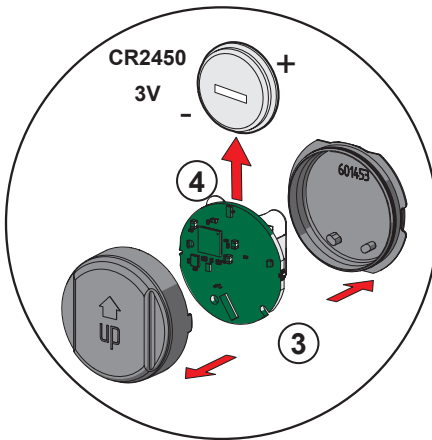
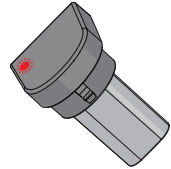
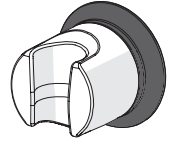
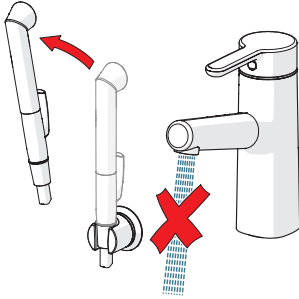
5107 2281



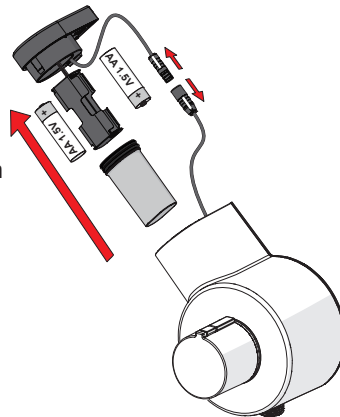


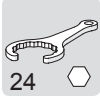
④

5168 2281
5107 2281



AA 1.5V x 2 Lithium

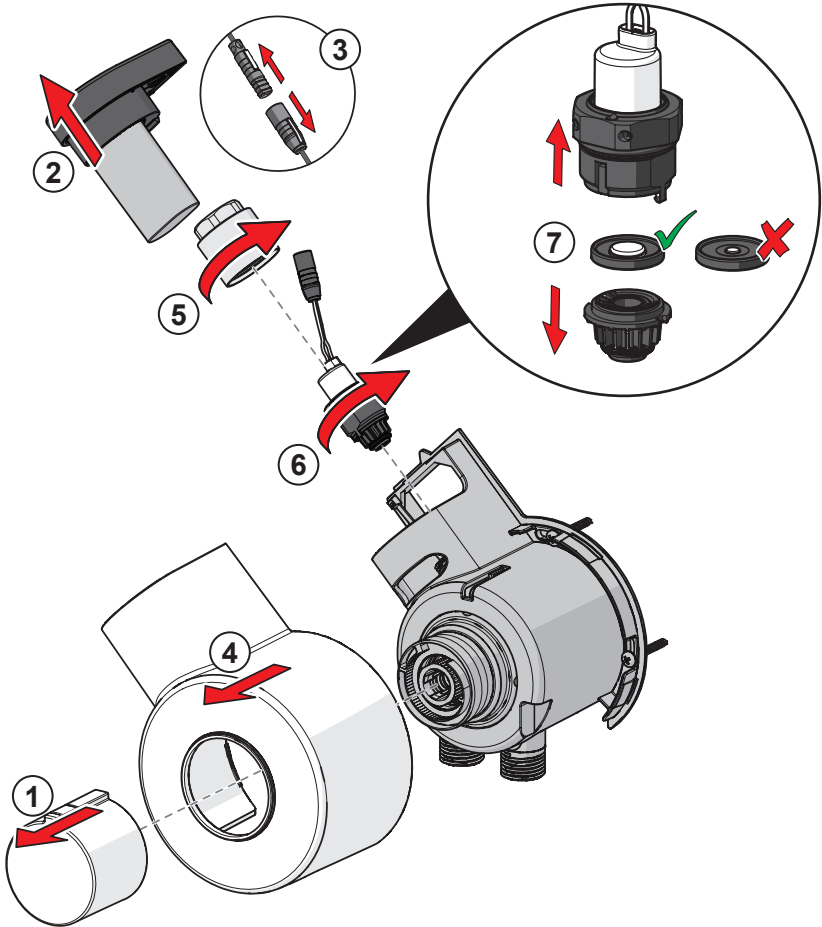


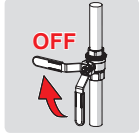


① ② ④

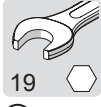
⑤ ⑥

⑦





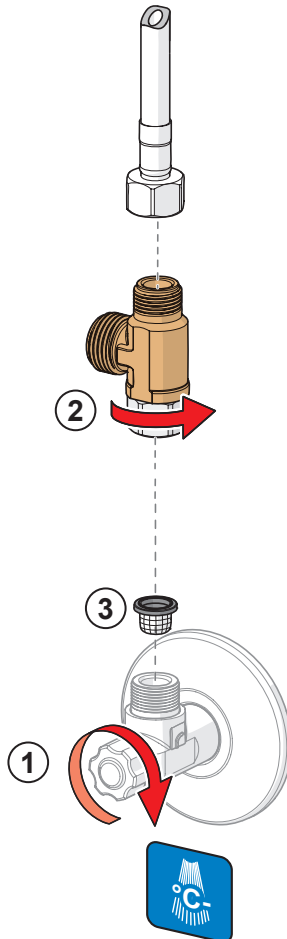
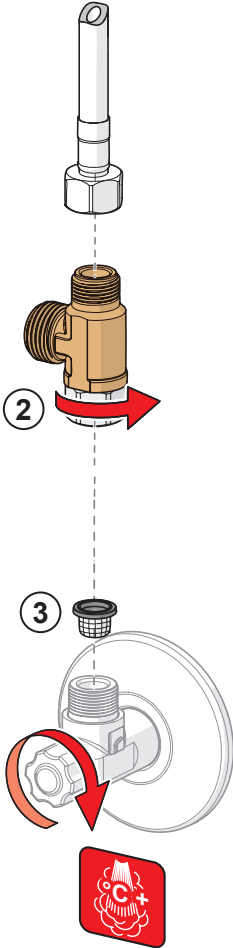
①

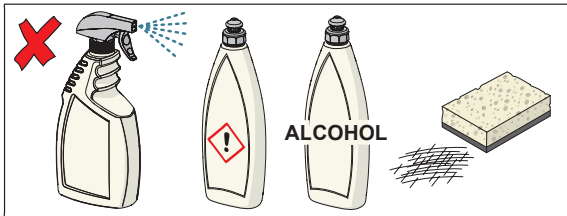
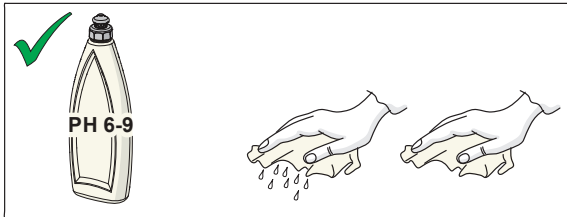
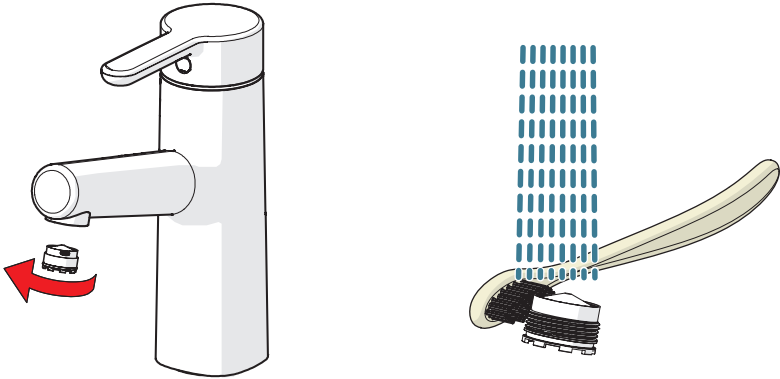
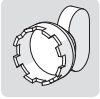


②



③



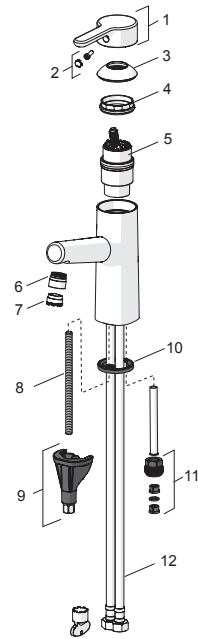


CLEANING.HANSA.COM



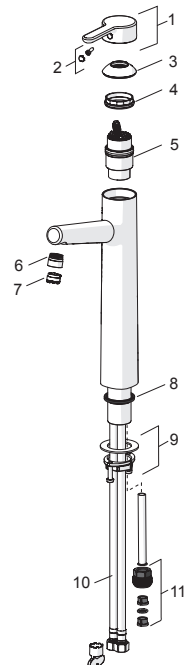
**5171 2283 , 5172 2283 , 5168 2281 ,
5170 2201**

- 1 59 914 574
- 2 59 914 573
- 3 59 914 649
- 4 59 914 128
- 5 59 914 129
- 6 59 914 645
- 7 59 913 366
- 8 59 914 474
- 9 59 914 475
- 10 59 913 653
- 11 59 914 133 5168 2281, 5170 2201
- 12 59 914 468
- NaN 59 911 441
- NaN 59 913 459



5169 2283

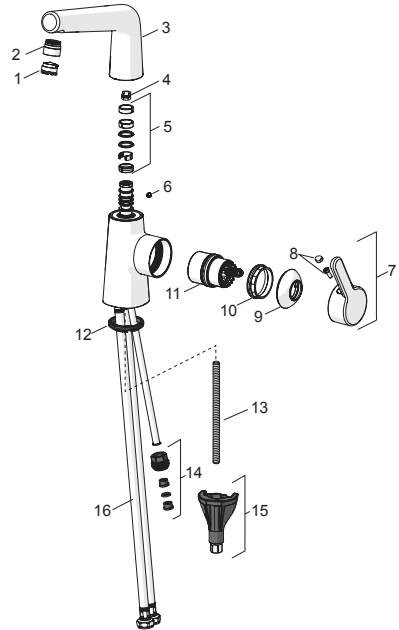
- 1 59 914 574
- 2 59 914 573
- 3 59 914 649
- 4 59 914 128
- 5 59 914 129
- 6 59 914 645
- 7 59 913 366
- 8 59 914 650
- 9 59 913 371
- 10 59 914 289





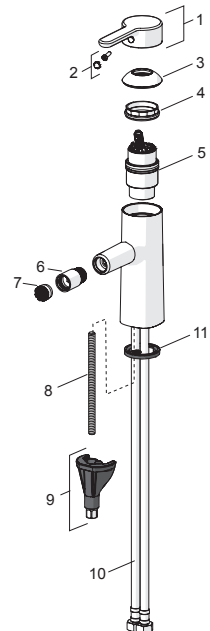
5103 2283 , 5107 2281 , 5149 2283 ,

- 1** 59 913 366
- 2** 59 914 645
- 3** 59 914 651
- 4** 59 914 429 120°
- 4** 59 914 264 60°/0°
- 5** 59 914 263
- 6** 59 913 762
- 7** 59 914 652
- 8** 59 914 573
- 9** 59 914 649
- 10** 59 914 128
- 11** 59 914 665
- 12** 59 914 591
- 13** 59 914 474
- 14** 59 914 133 5107 2281, 5134 2201
- 15** 59 914 475
- 16** 59 914 653
- NaN** 59 911 441
- NaN** 59 913 459



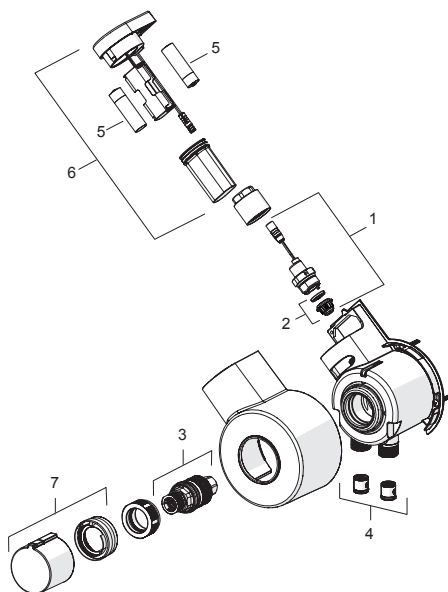
5173 3283

- 1** 59 914 574
- 2** 59 914 573
- 3** 59 914 649
- 4** 59 914 128
- 5** 59 914 129
- 6** 59 913 370
- 7** 59 913 366
- 8** 59 914 474
- 9** 59 914 475
- 10** 59 914 468
- 11** 59 913 653
- NaN** 59 911 441
- NaN** 59 913 459

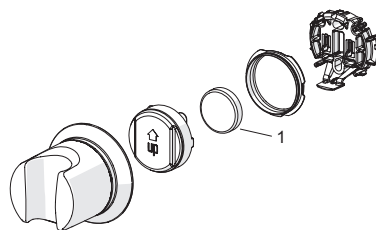




- 1 59 914 125
- 2 59 914 126
- 3 59 914 114
- 4 59 914 250
- 5 59 914 136
- 6 59 914 623
- 7 59 914 134

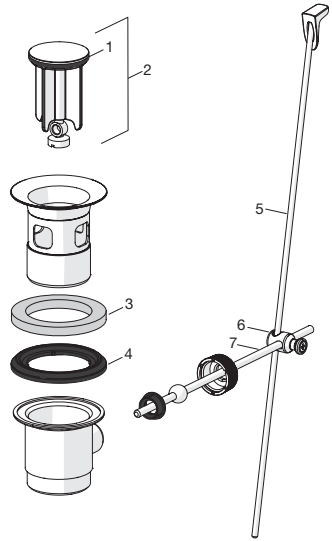


- 1 59 914 137



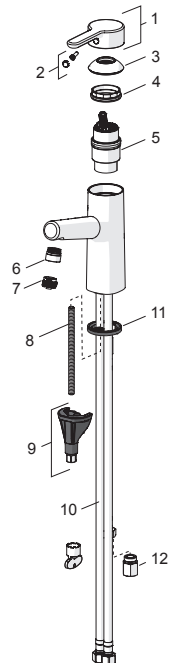


- 1 59 911 456
- 2 59 902 021
- 3 59 905 077
- 4 59 905 078
- 5 59 913 459
- 6 59 904 624
- 7 59 904 622



5191 1183

- 1 59 914 574
- 2 59 914 573
- 3 59 914 649
- 4 59 914 128
- 5 59 914 500
- 6 59 914 645
- 7 59 913 489
- 8 59 914 474
- 9 59 914 475
- 10 59 914 289
- 11 59 913 653
- 12 59 914 666

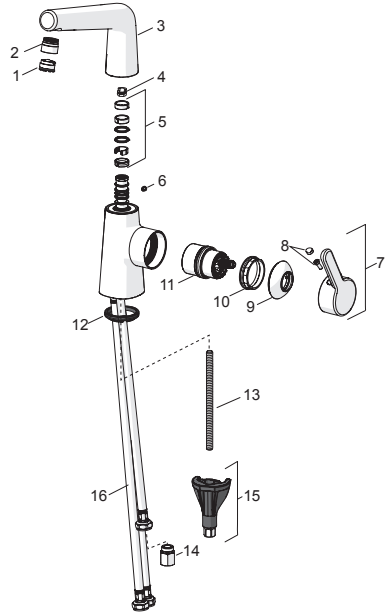




5121 1183

- 1** 59 913 489
- 2** 59 914 645
- 3** 59 914 651
- 4** 59 914 429
- 4** 59 914 264
- 5** 59 914 263
- 6** 59 913 762
- 7** 59 914 652
- 8** 59 914 573
- 9** 59 914 649
- 10** 59 914 128
- 11** 59 914 670
- 12** 59 914 591
- 13** 59 914 474
- 14** 59 914 666
- 15** 59 914 475
- 16** 59 914 680

120°
60°/0°



Oras Group is a powerful European provider of sanitary fittings: the market leader in the Nordics and a leading company in Continental Europe. The company's mission is to make the use of water easy and sustainable and its vision is to become the European leader of advanced sanitary fittings. Oras Group has two strong brands, Oras and Hansa.

The head office of the Group is located in Rauma, Finland, and the Group has four manufacturing sites: Kralovice (Czech Republic), Olesno (Poland) and Rauma (Finland). Oras Group employs approximately 1400 people in twenty countries. Oras Group is owned by Oras Invest, a family company and an industrial owner.

HANSA Armaturen GmbH
P. O. BOX 81 02 40
D-70519 Stuttgart

Sigmaringer Strasse 107
D-70567 Stuttgart
Tel.: +49 711 16 14 0
Fax: +49 711 16 14 368
info@hansa.de

www.hansa.com



a member of  orasgroup