

HANSAPICO

INSTALLATION AND MAINTENANCE GUIDE



Contents

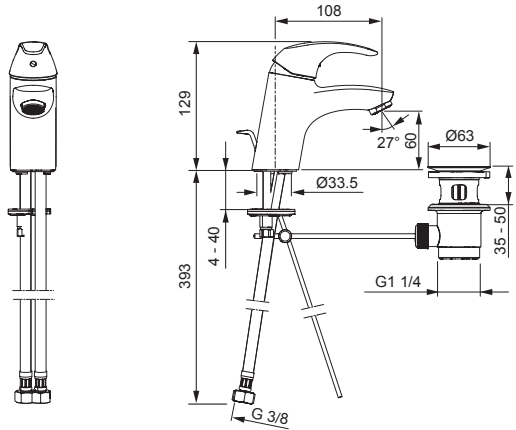
| | | | |
|----------------------------|-----------------------|--------------------|-------------------|
| CZ Obsah | FR Sommaire | IT Indice | RO Cuprins |
| DE Inhaltsübersicht | GR Περιεχόμενα | NL Inhoud | SI Vsebina |
| ES Contenidos | HU Tartalom | PT Conteúdo | SK Obsah |



| | |
|---------------------|------|
| Technical data..... | 4-5 |
| Installation | 6-7 |
| Operation..... | 8 |
| Maintenance..... | 8-11 |
| Spare parts..... | 12 |

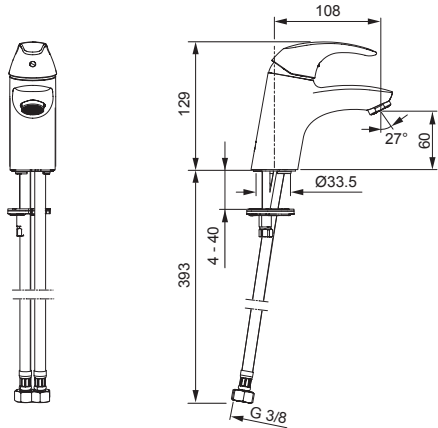
4604 2273

I (ISO 3822)
EN 817
100 - 1000 kPa
0.10 l/s (300 kPa w/Controller)
max. +90°C



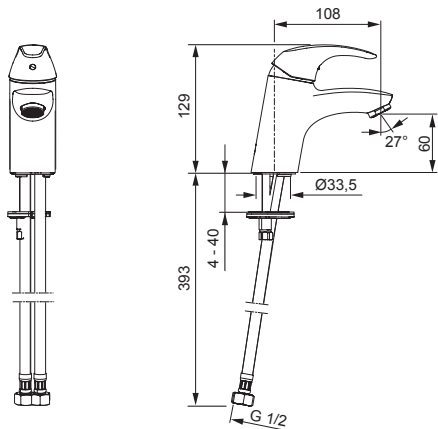
4606 2273

I (ISO 3822)
EN 817
50 - 1000 kPa
0.10 l/s (300 kPa w/Controller)
max. +90°C



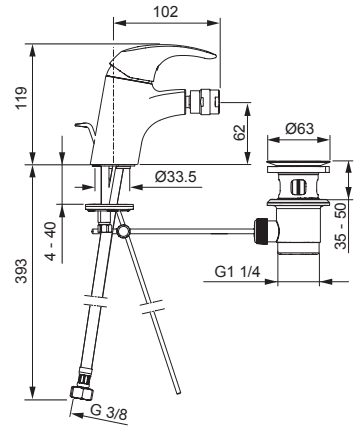
4606 2273 0037

I (ISO 3822)
EN 817
100 - 1000 kPa
0.1 l/s (300 kPa w/Controller)
max. +90°C



4607 3203

I (ISO 3822)
EN 817
100 - 1000 kPa
0.10 l/s (300 kPa w/Controller)
max. +90°C



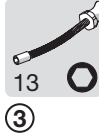
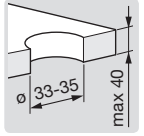
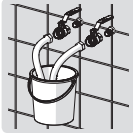
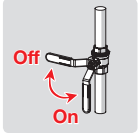
Installation

CZ Montáž
DE Montage
ES Montaje

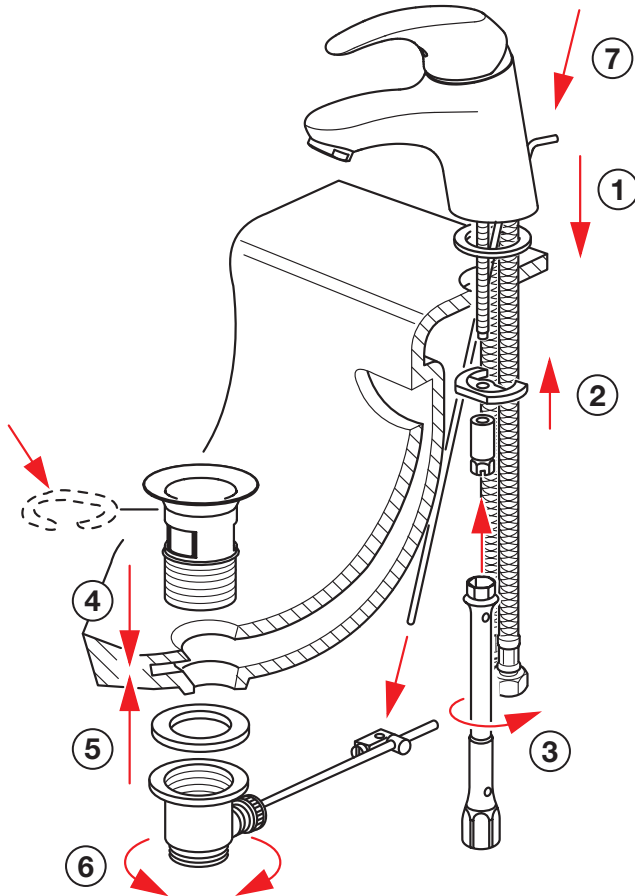
FR Installation
GR Συναρμολόγηση
HU Szerelés

IT Montaggio
NL Installatie
PT Instruções

RO Instalare
SI Montaža
SK Inštalácia



1



Installation

CZ Montáž
DE Montage
ES Montaje

FR Installation
GR Συναρμολόγηση
HU Szerelés

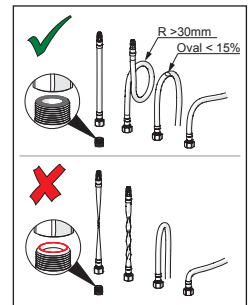
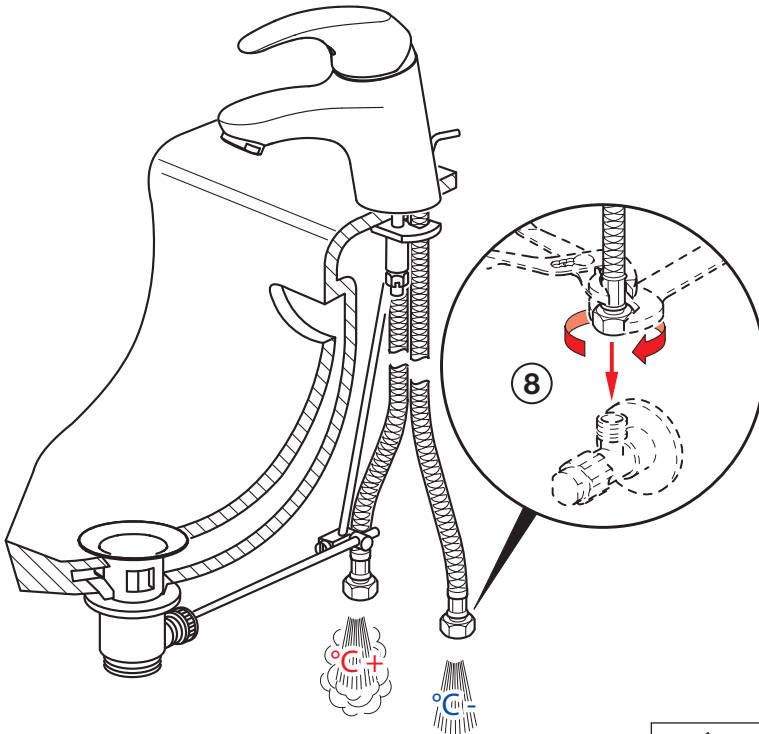
IT Montaggio
NL Installatie
PT Instruções

RO Instalare
SI Montaža
SK Inštalácia



19/24

8



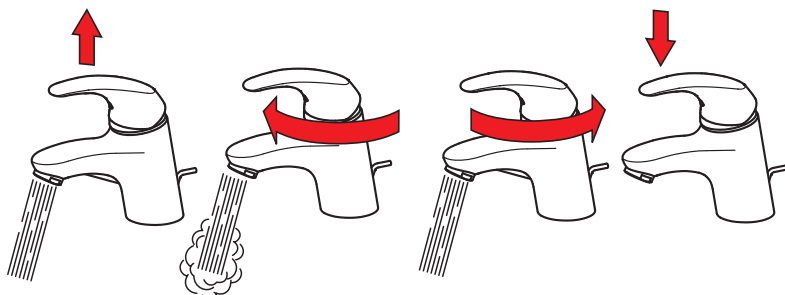
Operation

CZ Funkce
DE Funktion
ES Servicio

FR Utilisation
GR Λειτουργία
HU Üzemeltetés

IT Funzionamento
NL Bediening
PT Funcionamento

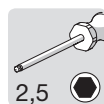
RO Funcționare
SI Delovanje
SK Prevádzka



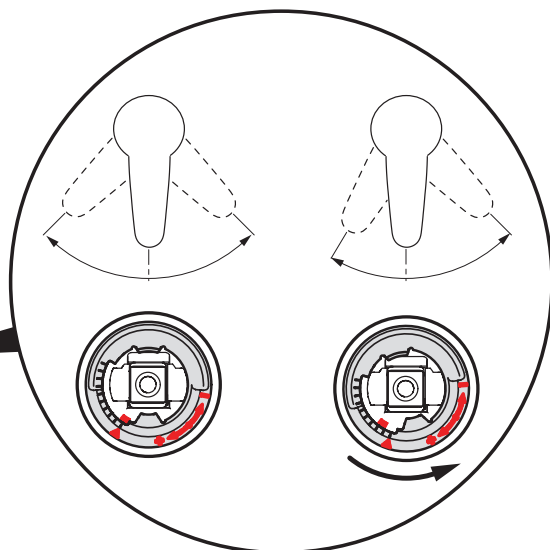
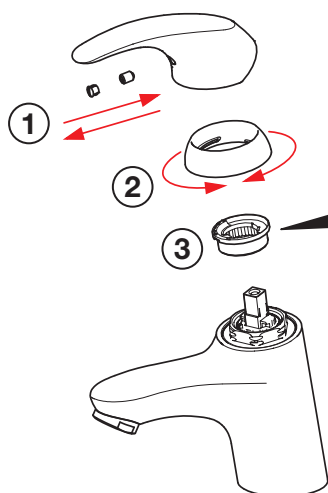
Limiting temperature

CZ Omezení teplé vody
DE Temperaturbegrenzung
ES Limitación de la temperatura
FR Limitation de la température
GR Περιορισμός θερμοκρασίας
HU A hőmérséklet határolása

IT Limitazione della temperatura
NL Perlator vervangent
PT Limitar a temperatura
RO Limitarea temperaturii
SI Omejevanje temperature
SK Obmedzenie teploty



①



To change the cartridge

CZ Výměna kartuše

DE Auswechseln der Patrone

ES Montaje del cartucho

FR Montage et démontage de la cartouche

GR Αντικατάσταση του στοιχείου

HU A patron cseréje

IT Montaggio della cartuccia

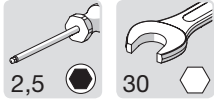
NL Vervangen van het keramische binnenwerk

PT Substituição do cartucho

RO Înlocuirea cartușului

SI Menjava kartuše

SK Výměna kartuše

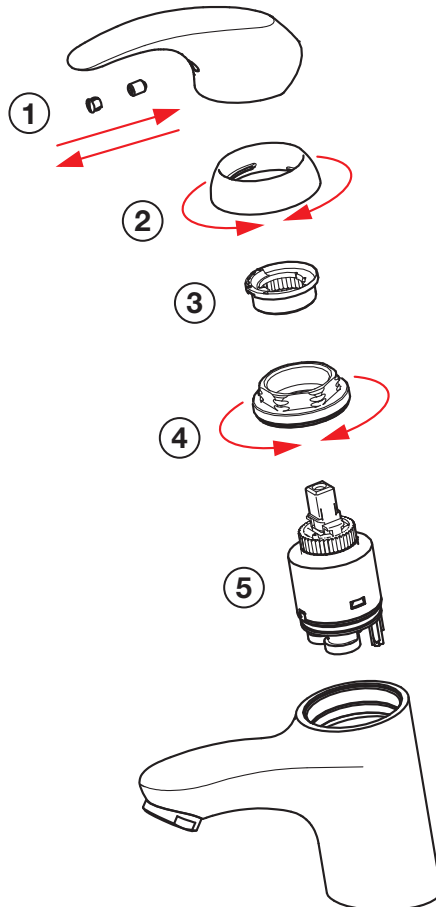


2,5

30

①

④



Limiting the flow rate

CZ Omezení průtoku

DE Begrenzung der Durchflußmenge

ES Limitación de la tasa de flujo

FR Limitation du débit

GR Περιορισμός ρυθμού ροής

HU Az áramlás határolása

IT Limitazione della portata

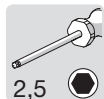
NL Begrenzing van de doorstroomhoeveelheid

PT Limitar o caudal

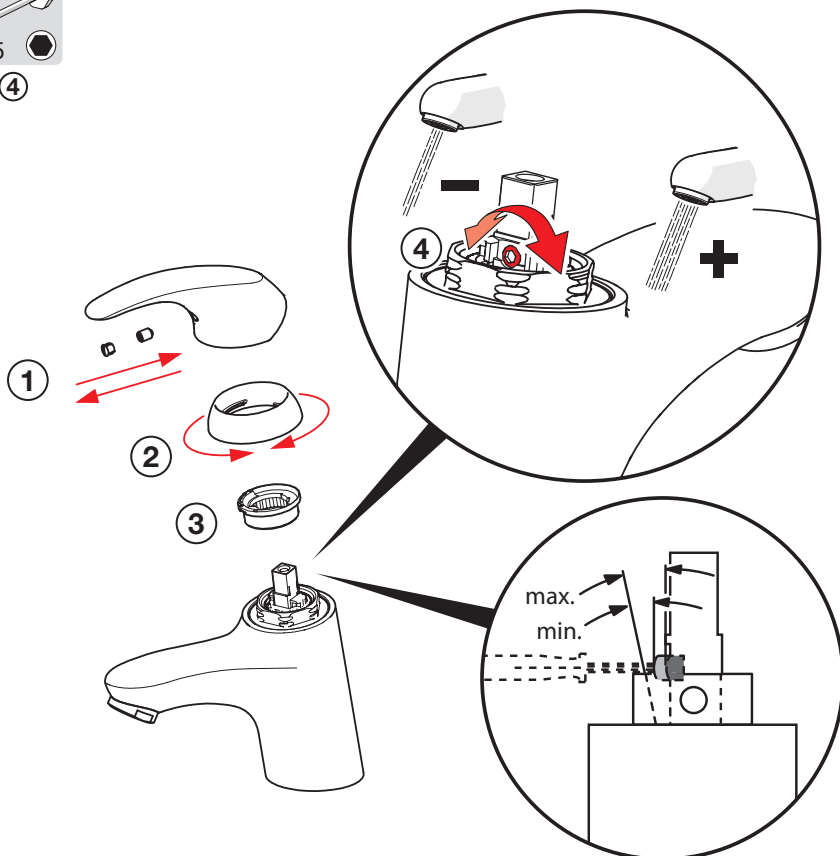
RO Limitarea debitului

SI Omejevanje pretoka vode

SK Obmedzenie prietoku



① ④



Cleaning the faucet

CZ Čištění baterie

DE Reinigung der Armatur

ES Limpieza de la grifería

FR Nettoyage du robinet

GR καθαρισμός/αλλαγή αεριστήρα

HU Az aerátor tisztítása/cseréje

GR Καθαρισμός του βρύση

HU Takarítás a csapot

IT Pulizia della rubinetteria

NL Reinigen van de kraan

PT Limpeza da torneira

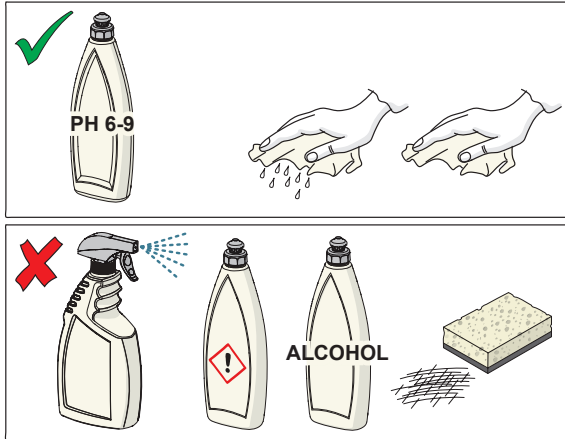
RO Curățire

SI Čiščenje armature

SK Čistenie vodovodnej batérie

SI Čiščenje/menjava perlatorja

SK Čistenie/Výmena perlátora



Cleaning/Changing the aerator

CZ Čištění/Výměna perlátoru

DE Reinigung/Wechseln des Luftsprudlers

ES Limpieza/Cambiar el aireador

FR Nettoyage/Changement de l'aérateur

GR Καθαρισμός/αλλαγή αεριστήρα

HU Az aerátor tisztítása/cseréje

IT Pulizia/Sostituzione dell'aeratore

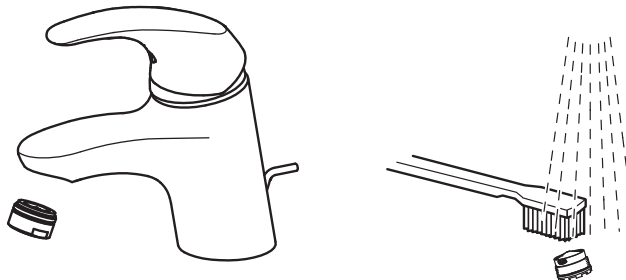
NL Reinigen/veranderen van de perlator

PT Limpar/substituir o arejador

RO Curățirea/Înlocuirea aeratorului

SI Čiščenje/menjava perlatorja

SK Čistenie/Výmena perlátora

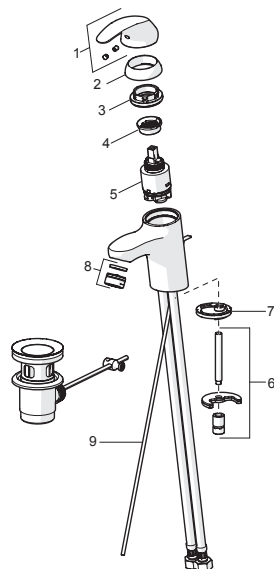


Spare parts

| | | | |
|------------------------------|----------------------------|------------------------------|---------------------------|
| CZ Náhradní díly | FR Pièces détachées | IT Pezzi di ricambio | RO Piese de schimb |
| DE Ersatzteile | GR Ανταλλακτικά | NL Reserve-onderdelen | SI Rezervni deli |
| ES Piezas de recambio | HU Alkatrészek | PT Peças de reposição | SK Náhradné diely |

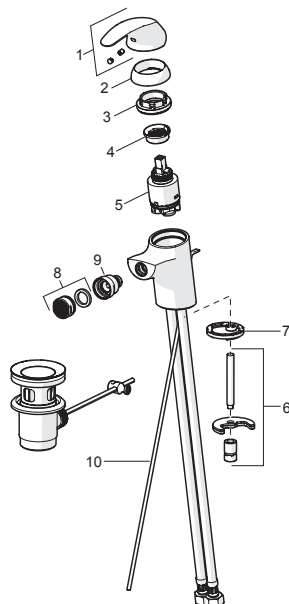
4604 2273 , 4606 2273 , 4606 2273 0037

- 1 59 913 678
- 2 59 912 504
- 3 59 913 210
- 4 59 912 325
- 5 59 913 075
- 6 59 912 474
- 7 59 913 653
- 8 59 913 727



4607 3203

- 1 59 913 678
- 2 59 912 504
- 3 59 913 210
- 4 59 912 325
- 5 59 913 075
- 6 59 912 113
- 7 59 913 653
- 8 59 913 727
- 9 59 910 952
- 10 59 913 214



Oras Group is a powerful European provider of sanitary fittings: the market leader in the Nordics and a leading company in Continental Europe. The company's mission is to make the use of water easy and sustainable and its vision is to become the European leader of advanced sanitary fittings. Oras Group has two strong brands, Oras and Hansa.

The head office of the Group is located in Rauma, Finland, and the Group has four manufacturing sites: Burglengenfeld (Germany), Kralovice (Czech Republic), Olesno (Poland) and Rauma (Finland). Oras Group employs approximately 1400 people in twenty countries. Oras Group is owned by Oras Invest, a family company and an industrial owner.

HANSA Armaturen GmbH
P. O. BOX 81 02 40
D-70519 Stuttgart

Sigmaringer Strasse 107
D-70567 Stuttgart
Tel.: +49 711 16 14 0
Fax: +49 711 16 14 368
info@hansa.de

www.hansa.com



a member of  orasgroup