



# HANSA

Installation and maintenance guide





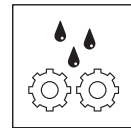
4-10



11-14



14



15-20

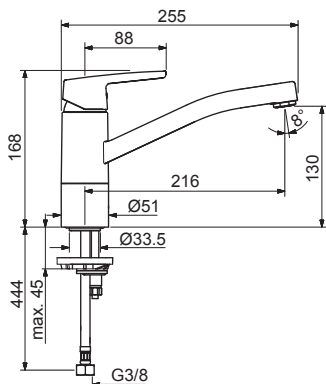
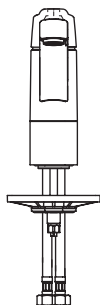


21



### 5148 2293

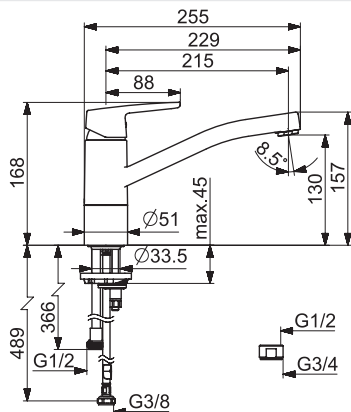
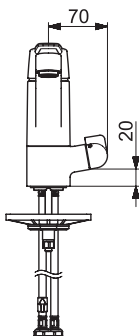
I(ISO3822)  
EN 817  
50 - 1000 kPa  
0.20 l/s (300 kPa)  
max. +80°C



[mpi.hansa.com/51482293](http://mpi.hansa.com/51482293)

### 5266 2293

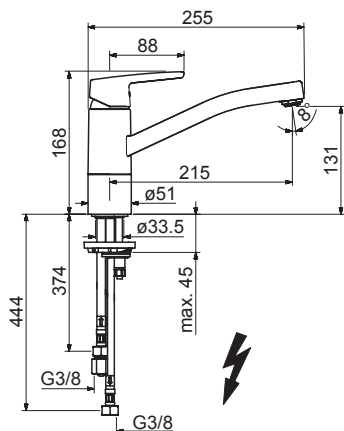
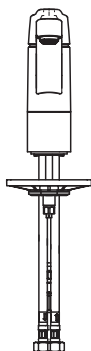
I(ISO3822)  
EN 817  
50 - 1000 kPa  
0.20 l/s (300 kPa)  
max. +80°C



[mpi.hansa.com/52662293](http://mpi.hansa.com/52662293)

### 5159 1193

I (ISO 3822)  
EN 817  
50 - 1000 kPa  
0.20 l/s (300 kPa)  
max. +80°C

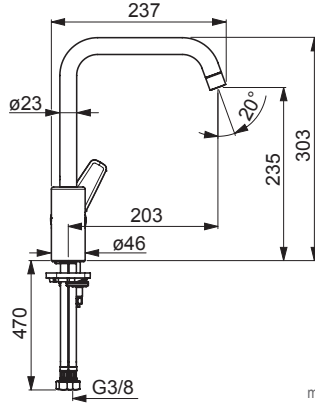
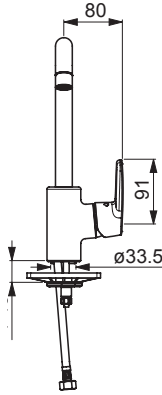


[mpi.hansa.com/51591193](http://mpi.hansa.com/51591193)



**5156 2293**

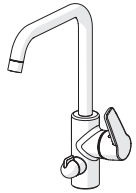
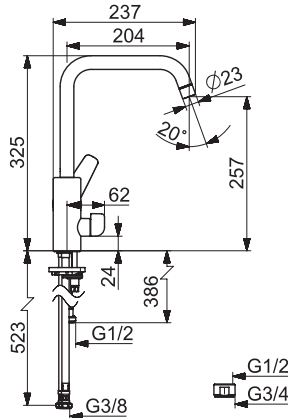
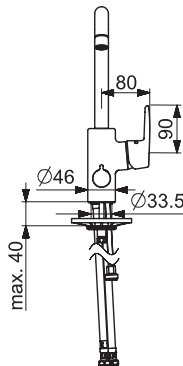
I (ISO3822)  
 EN 817  
 50 - 500 kPa  
 0.12 l/s (300 kPa)  
 max. +80°C



[mpi.hansa.com/51562293](http://mpi.hansa.com/51562293)

**5160 2293**

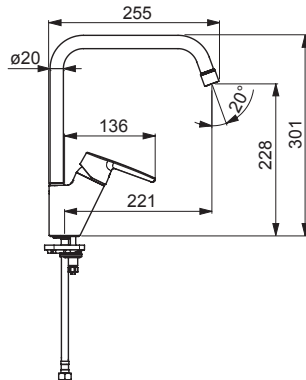
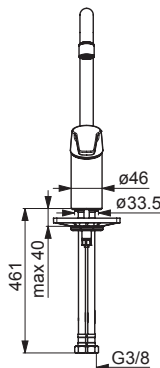
EN 817  
 50 - 1000 kPa  
 0.20 l/s (300 kPa)  
 max. +80°C



[mpi.hansa.com/51602293](http://mpi.hansa.com/51602293)

**5270 2293**

EN 817  
 50 - 1000 kPa  
 0.20 l/s (300 kPa)  
 max. +80°C

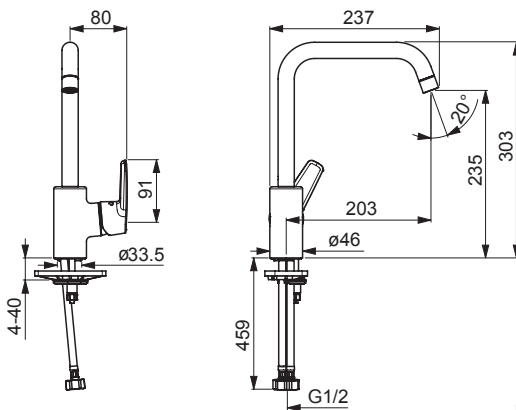


[mpi.hansa.com/52702293](http://mpi.hansa.com/52702293)



### 5156 2293 0037

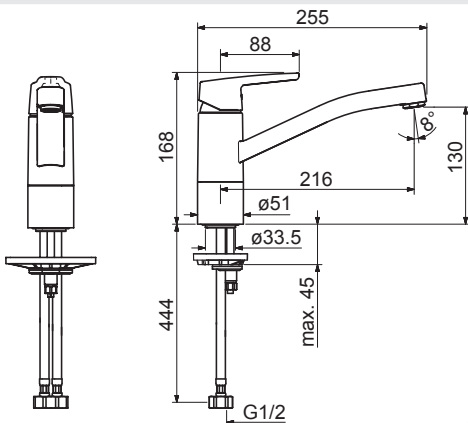
EN 817  
50 - 1000 kPa  
0.17 l/s (300 kPa)  
max. +80°C



[mpi.hansa.com/515622930037](http://mpi.hansa.com/515622930037)

### 5148 2293 0037

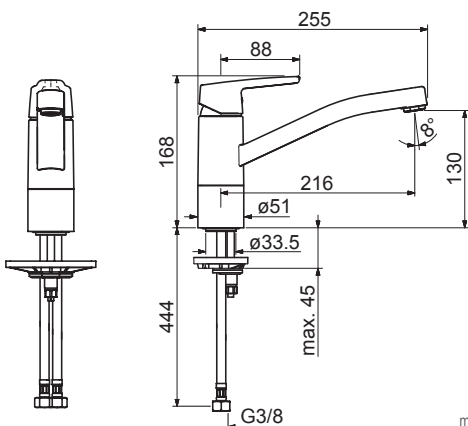
EN 817  
50 - 1000 kPa  
0.12 l/s (300 kPa)  
max. +80°C



[mpi.hansa.com/514822930037](http://mpi.hansa.com/514822930037)

### 5148 2293 00676

EN 817  
50 - 1000 kPa  
0.12 l/s (300 kPa)  
max. +80°C

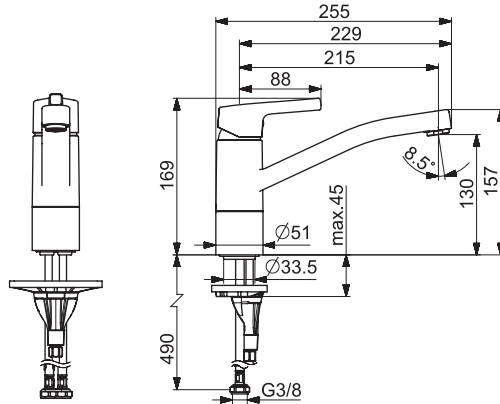


[mpi.hansa.com/5148229300676](http://mpi.hansa.com/5148229300676)



**5653 2203**

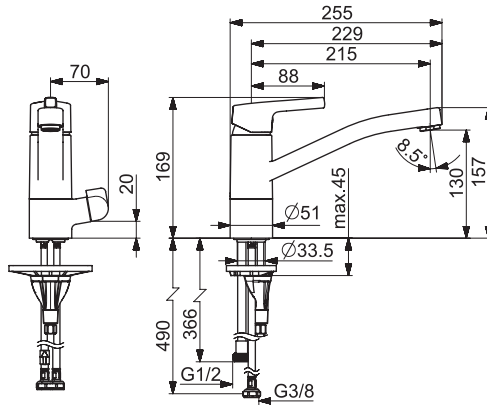
EN 817  
50 - 1000 kPa  
0.2 l/s (300 kPa)  
max. +80°C



[mpi.hansa.com/56532203](http://mpi.hansa.com/56532203)

**5654 2203**

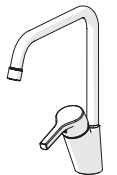
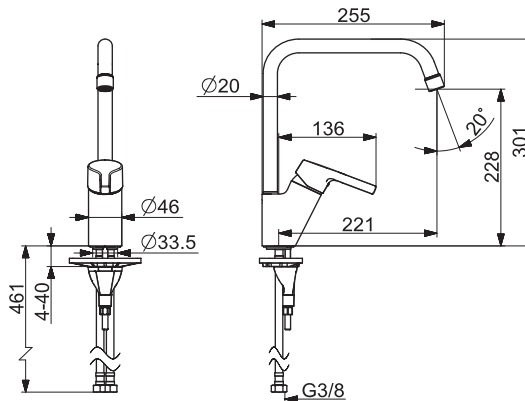
I(ISO3822)  
EN 817  
50 - 1000 kPa  
0.20 l/s (300 kPa)  
max. +80°C



[mpi.hansa.com/56542203](http://mpi.hansa.com/56542203)

**5650 2203**

I(ISO3822)  
EN 817  
50 - 1000 kPa  
0.15 l/s (300 kPa)  
max. +90°C

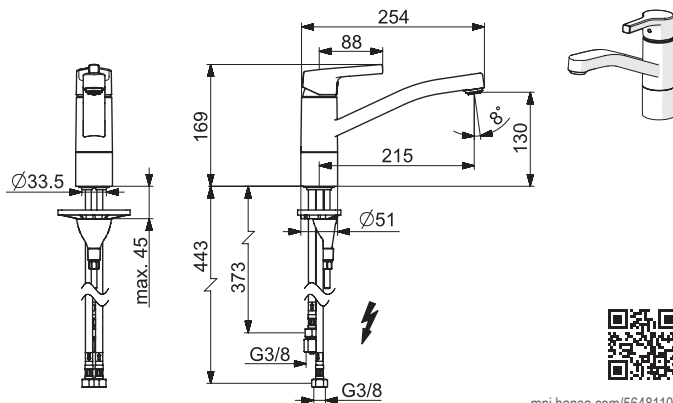


[mpi.hansa.com/56502203](http://mpi.hansa.com/56502203)



### 5648 1103

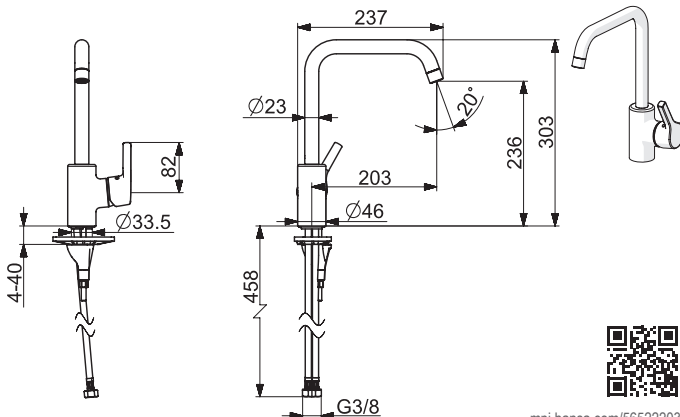
I(ISO3822)  
EN 817  
50 - 1000 kPa  
0.2 l/s (300 kPa)  
max. +90°C



[mpi.hansa.com/56481103](http://mpi.hansa.com/56481103)

### 5652 2203

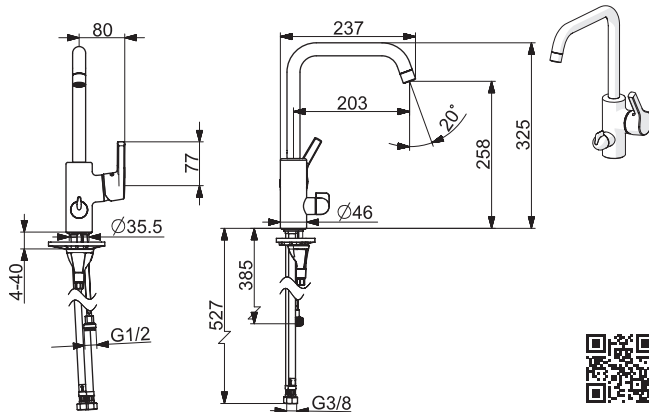
I(ISO3822)  
EN 817  
50 - 500 kPa  
0.08 l/s (300 kPa)  
max. +80°C



[mpi.hansa.com/56522203](http://mpi.hansa.com/56522203)

### 5649 2203

I(ISO3822)  
EN 817  
50 - 1000 kPa  
0.2 l/s (300 kPa)  
max. +90°C



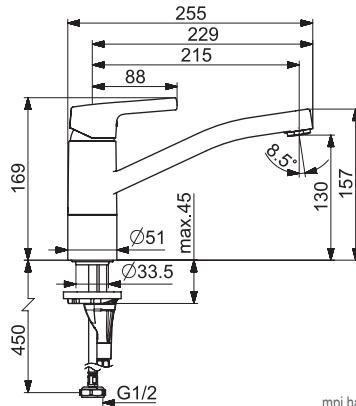
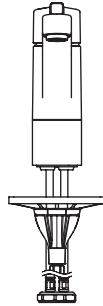
[mpi.hansa.com/56492203](http://mpi.hansa.com/56492203)





**5653 2203 0037**

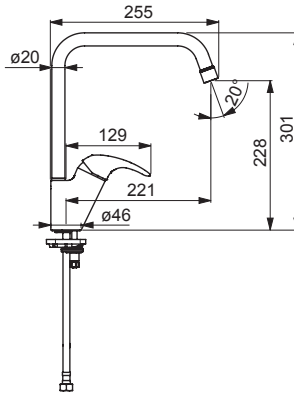
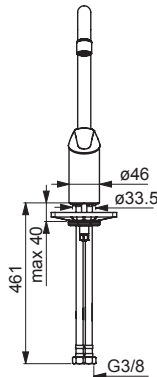
I (ISO3822)  
 EN 817  
 50 - 1000 kPa  
 0.1 l/s (300 kPa w/Controller)  
 max. +90°C



[mpi.hansa.com/565322030037](http://mpi.hansa.com/565322030037)

**4609 2273**

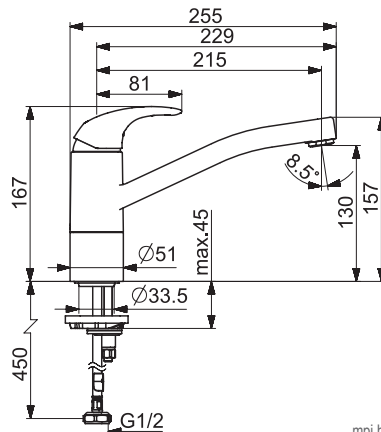
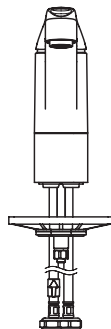
EN 817  
 50 - 1000 kPa  
 0.20 l/s (300 kPa)  
 max. +90°C



[mpi.hansa.com/46092273](http://mpi.hansa.com/46092273)

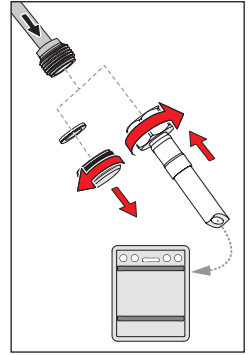
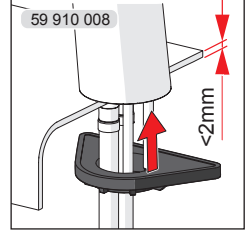
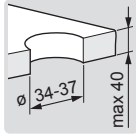
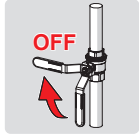
**4608 2273 0037**

I (ISO 38229 Oras lab.)  
 EN 817  
 100 - 1000 kPa  
 0.2 l/s (300 kPa)  
 max. +90°C

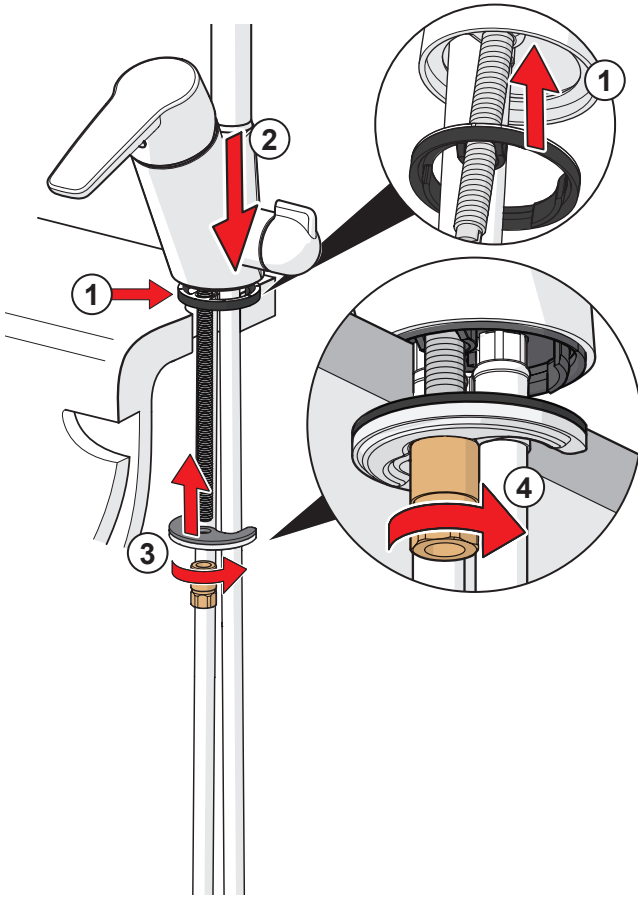


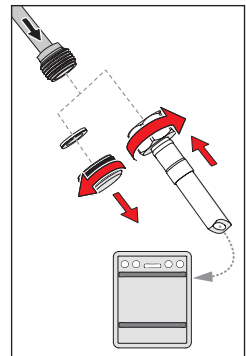
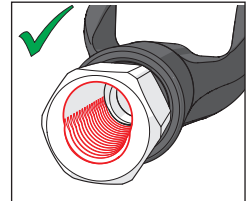
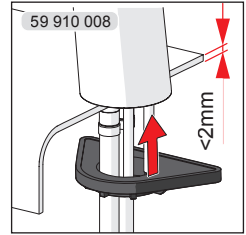
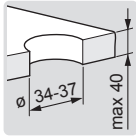
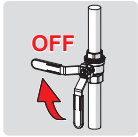
[mpi.hansa.com/460822730037](http://mpi.hansa.com/460822730037)



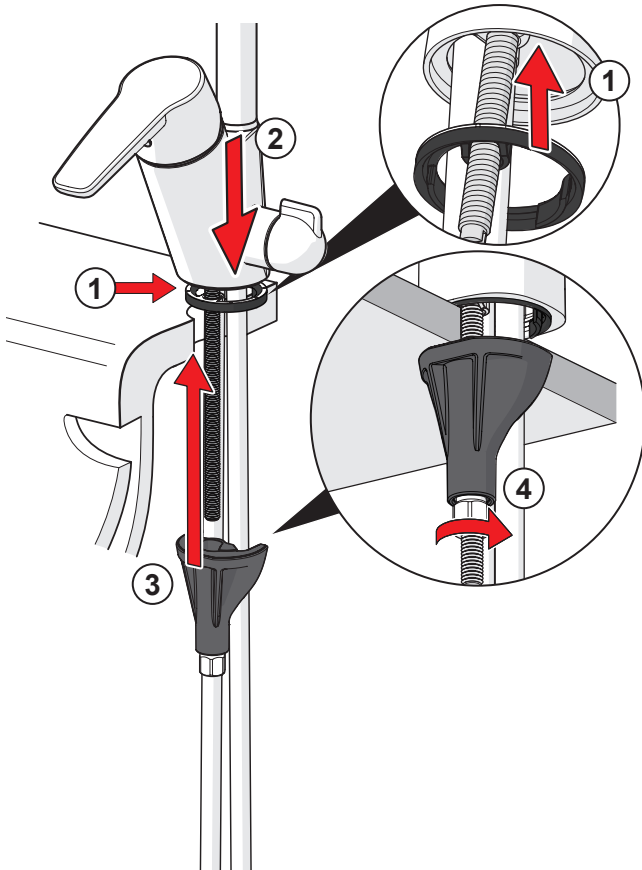


**A**





**B**

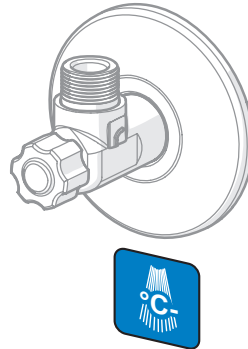
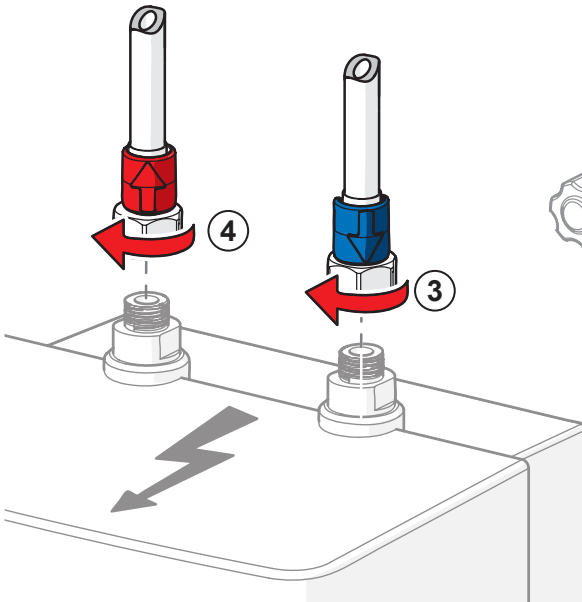
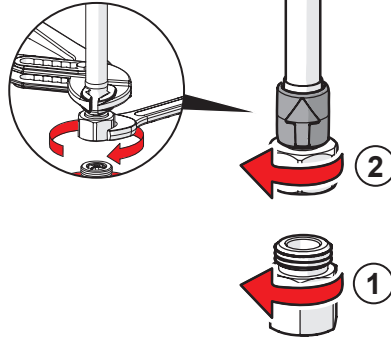
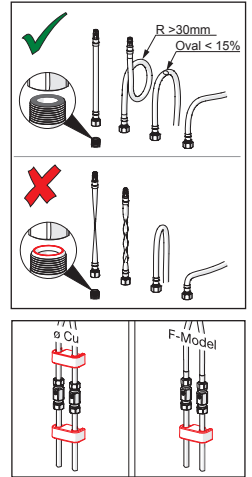




19

① ② ③ ④

2

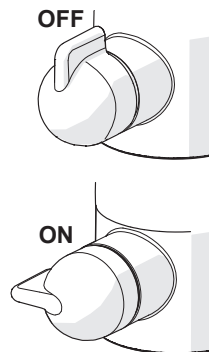
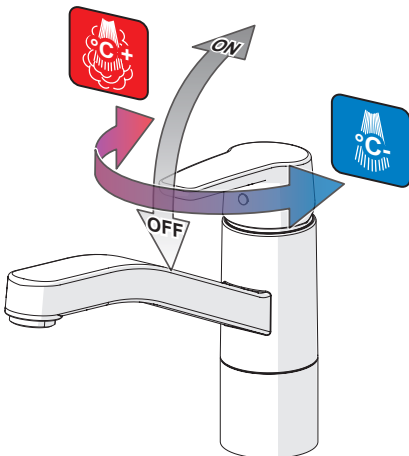
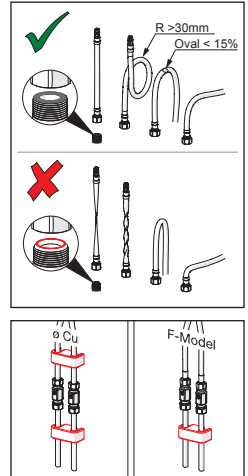
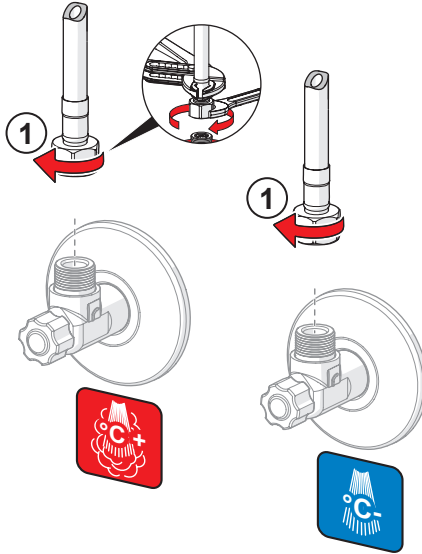




①

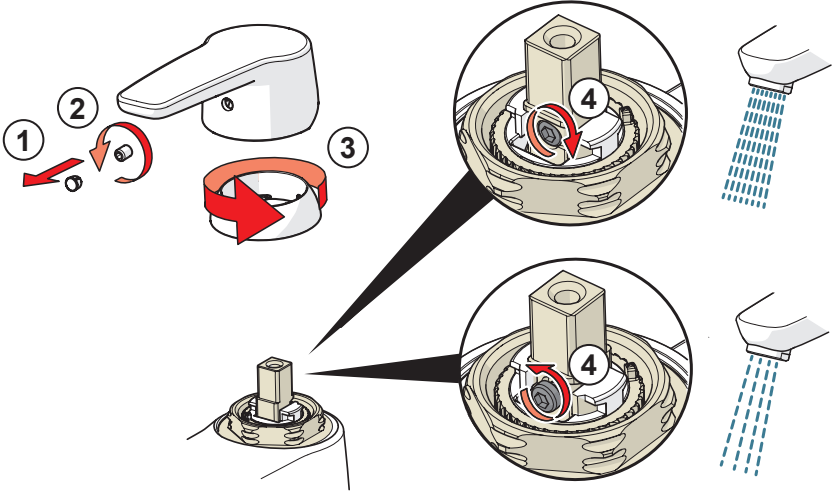
max.  
1600 kPa

②





②





②



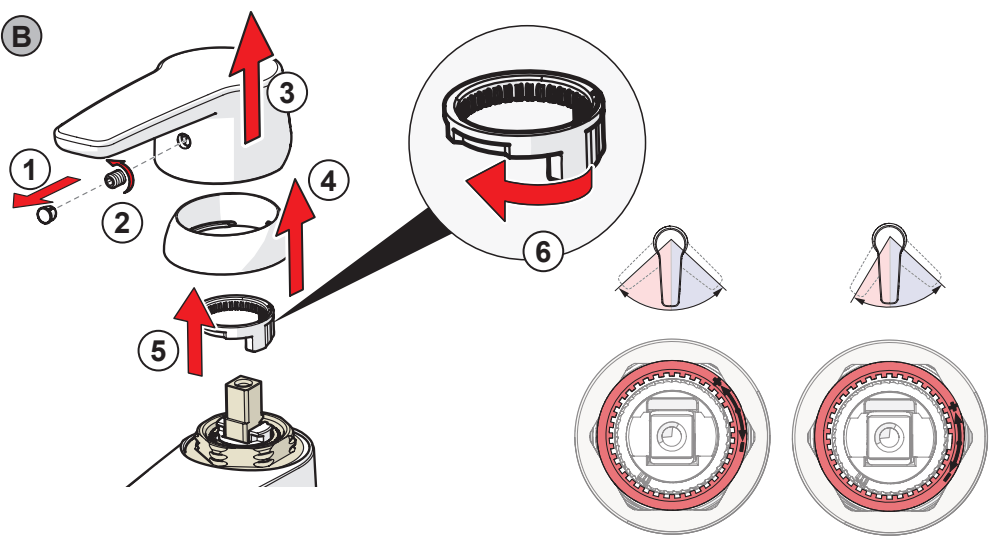
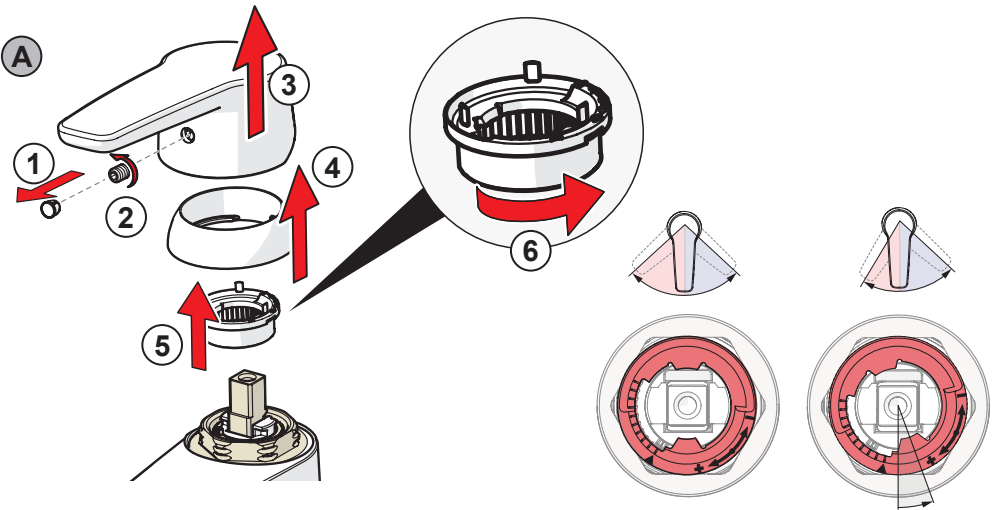
A



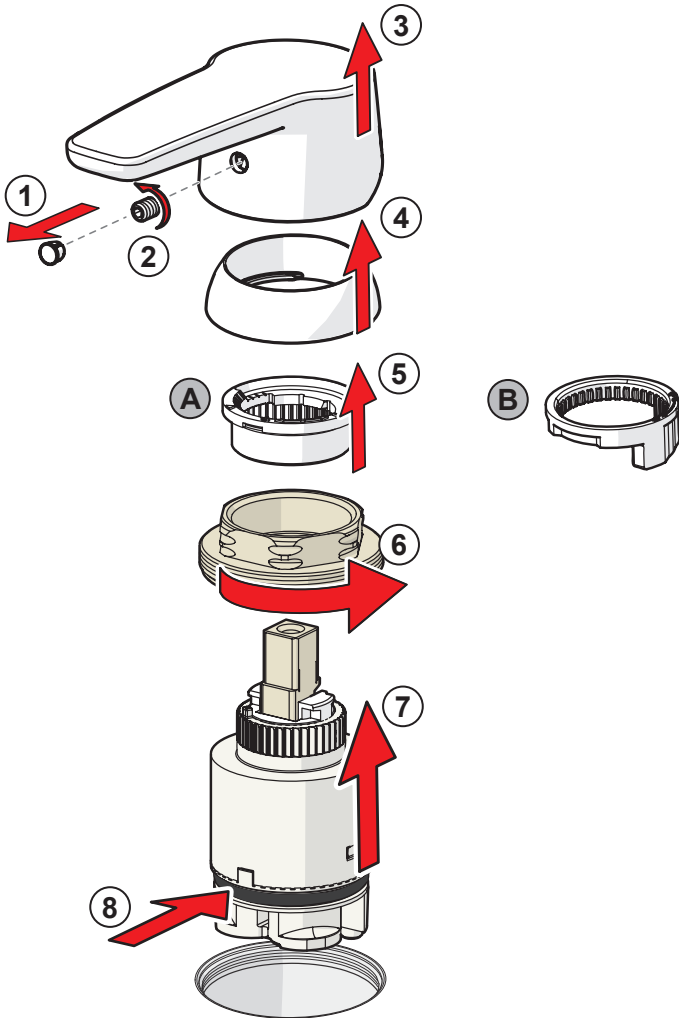
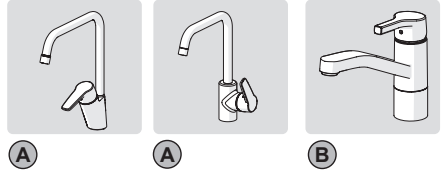
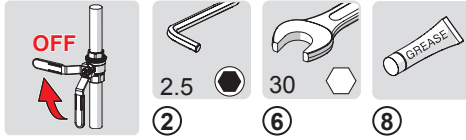
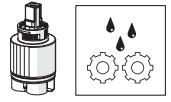
A

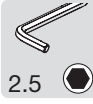


B









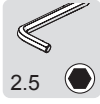
A1



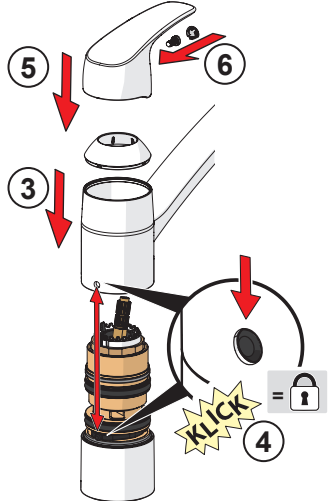
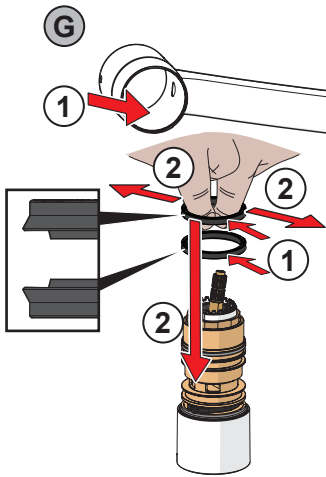
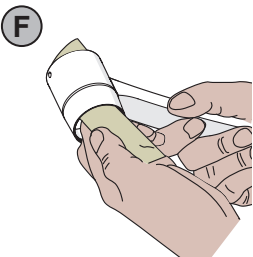
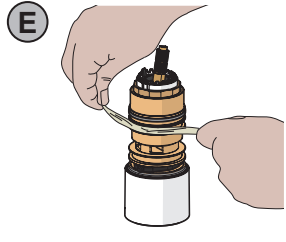
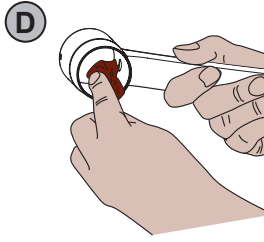
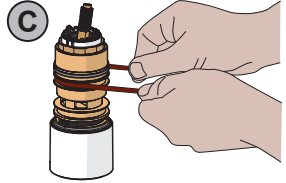
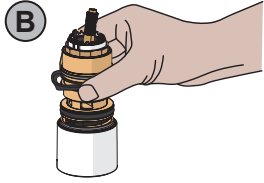
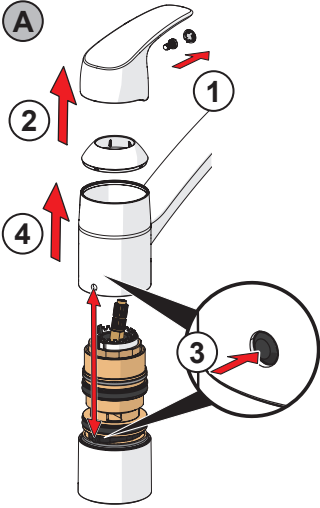
G1

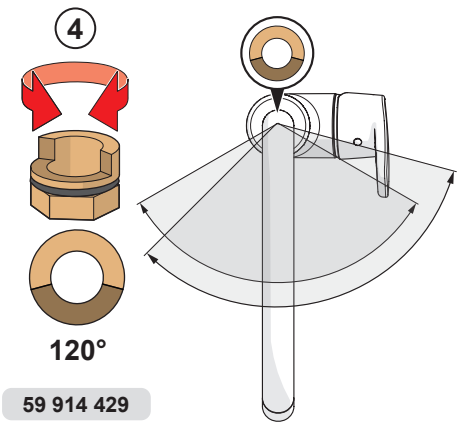
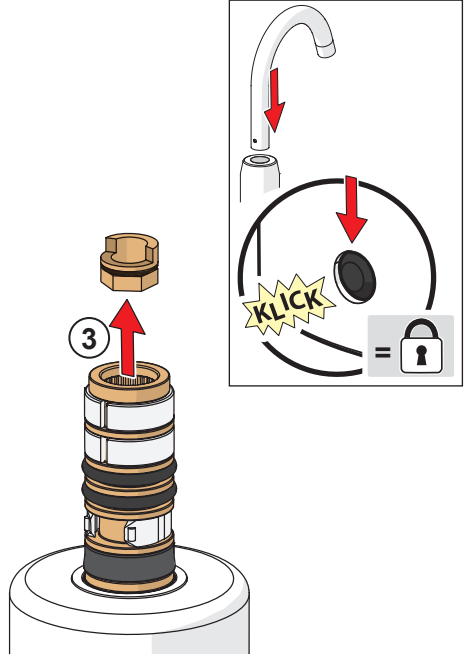
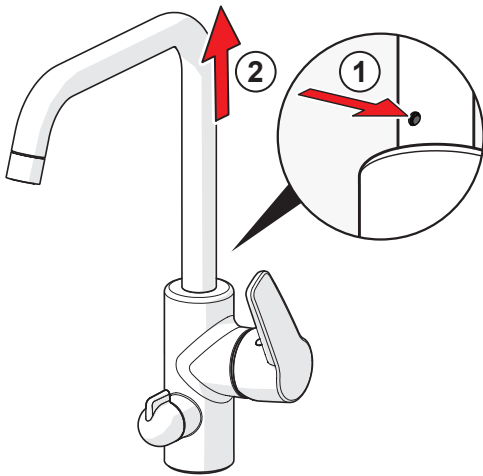
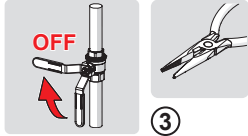


G2

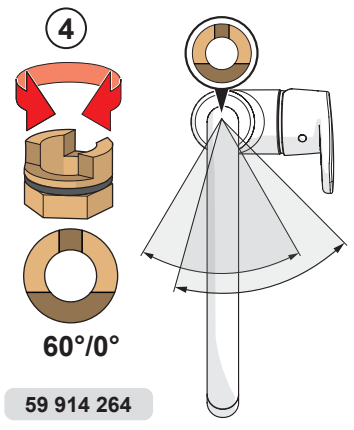


G6

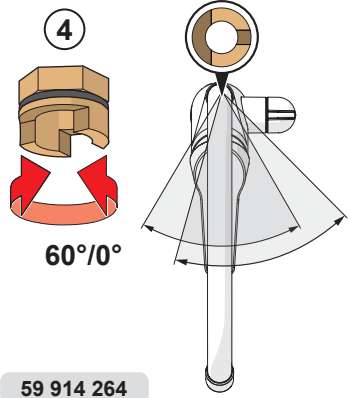
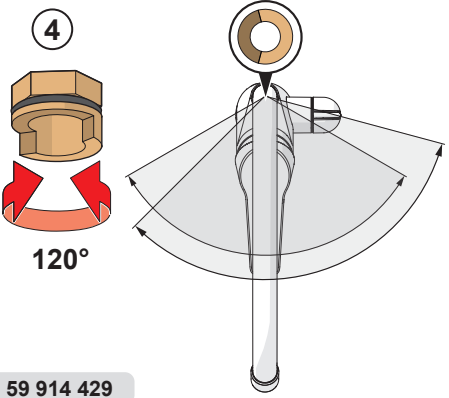
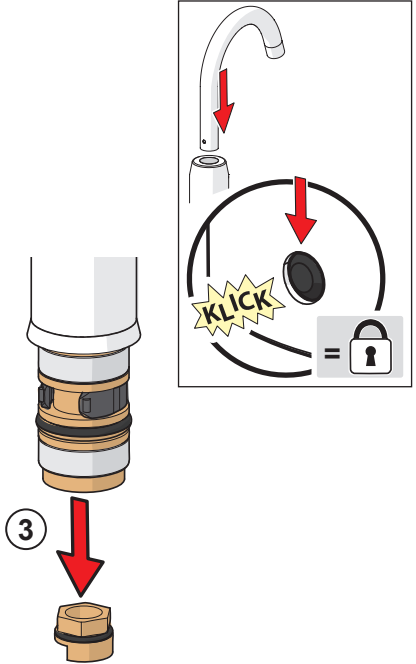
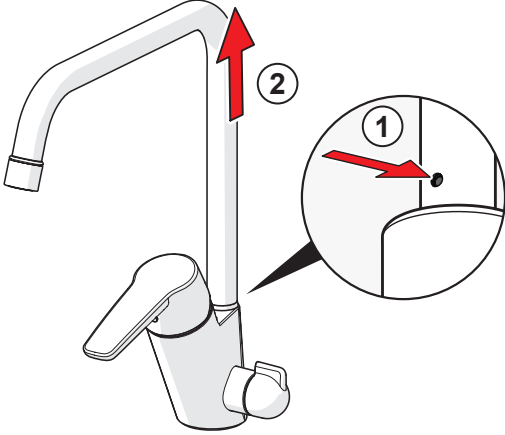
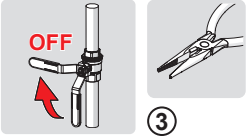
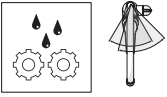




59 914 429

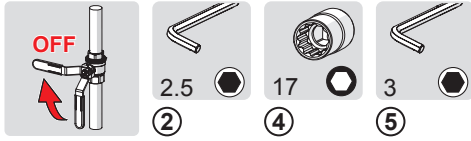


59 914 264

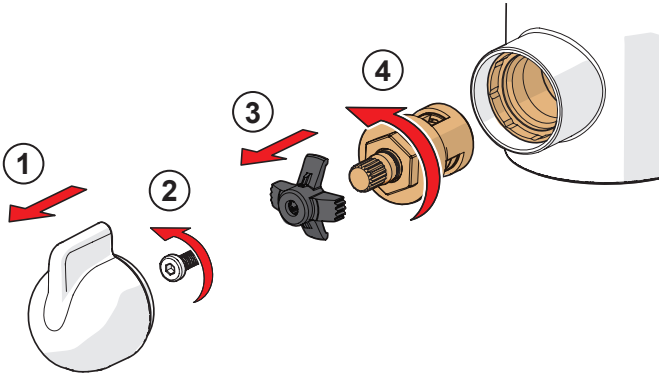


59 914 429

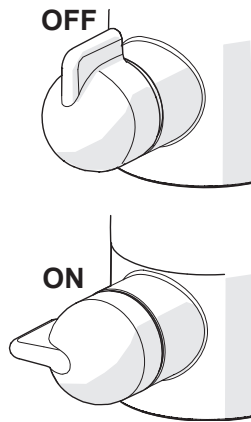
59 914 264

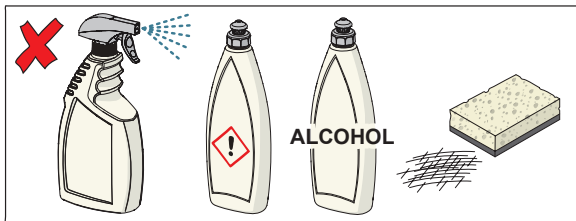
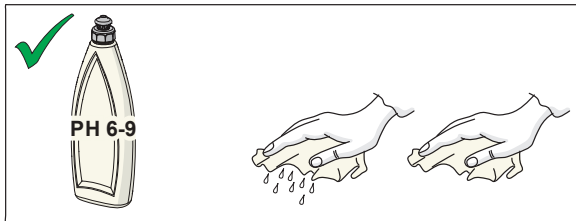
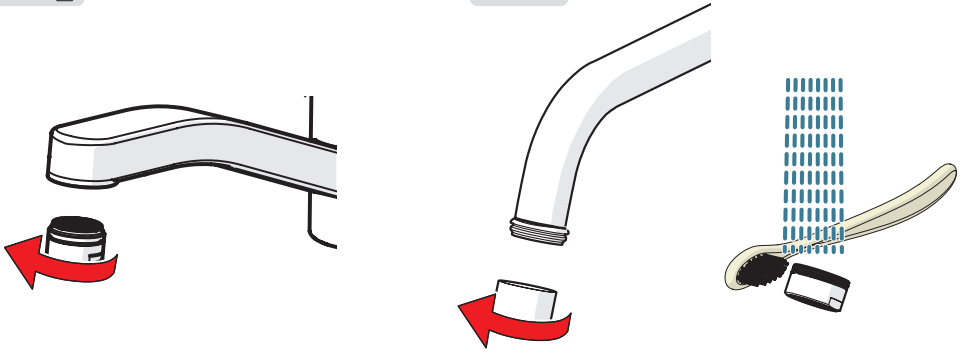


**1**



**2**





CLEANING.HANSA.COM



Oras Group is a powerful European provider of sanitary fittings: the market leader in the Nordics and a leading company in Continental Europe. The company's mission is to make the use of water easy and sustainable and its vision is to become the European leader of advanced sanitary fittings. Oras Group has two strong brands: Oras and Hansa.

The Group's head office is located in Rauma, Finland, and the Group has three manufacturing sites: Kralovice (Czech Republic), Olesno (Poland) and Rauma (Finland). Oras Group employs approximately 1,200 people in twenty countries. Oras Group is owned by Oras Invest, a family company and an industrial owner.

HANSA Armaturen GmbH  
P. O. BOX 81 02 40  
D-70519 Stuttgart  
Sigmaringer Strasse 107  
D-70567 Stuttgart  
Tel.: +49 711 16 14 0  
Fax: +49 711 16 14 368  
info@hansa.de  
www.hansa.com



943376D-08-20